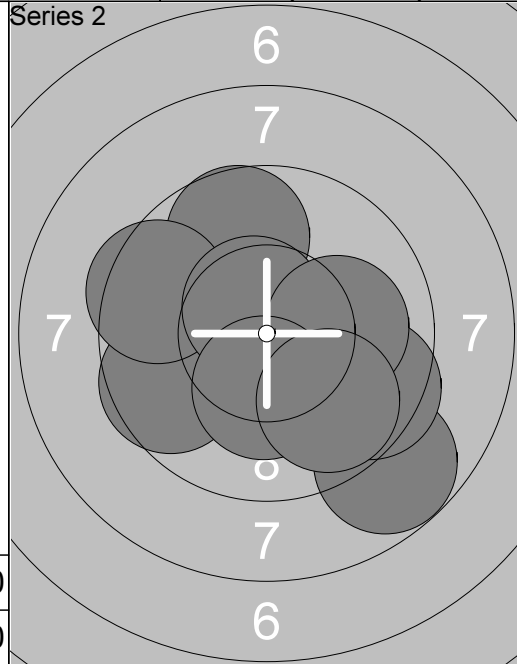
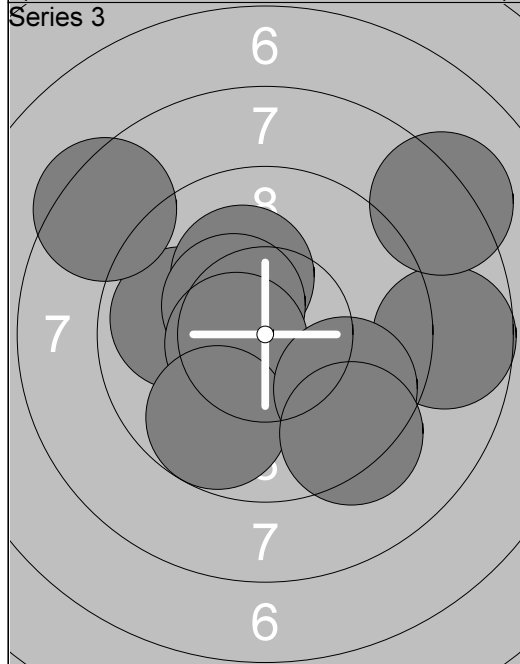


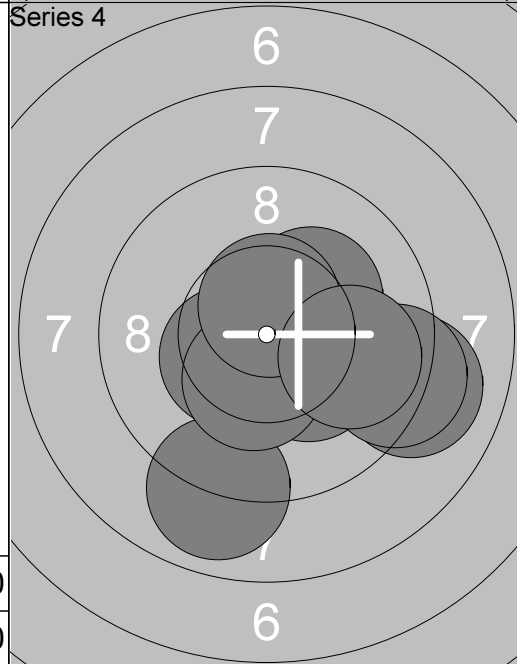
1: 10.1	←
2: *10.3	↓
3: *10.7	→
4: 9.7	←
5: 9.6	→
6: 9.6	→
7: 10.0	↑
8: 10.1	↑
9: 9.3	→
10: 10.1	→
Series	96.0
Total	96.0



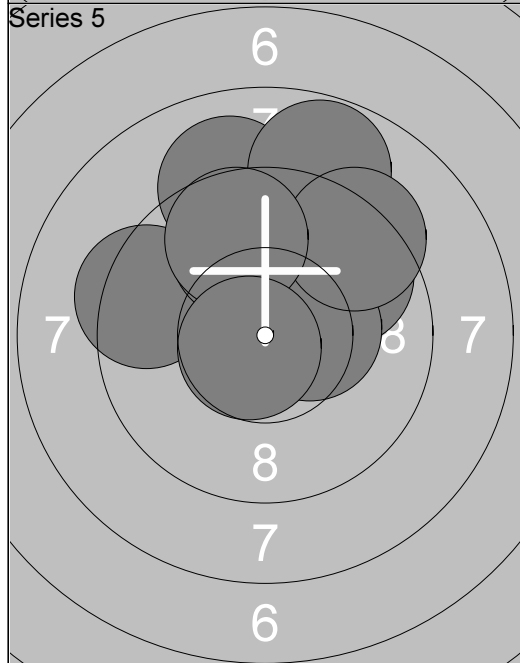
11: 9.7	↑
12: *10.7	↓
13: 9.6	←
14: 8.8	↓
15: 9.5	←
16: *10.6	↑
17: 9.5	→
18: 10.1	→
19: *10.3	↓
20: 9.8	↓
Series	93.0
Total	189.0



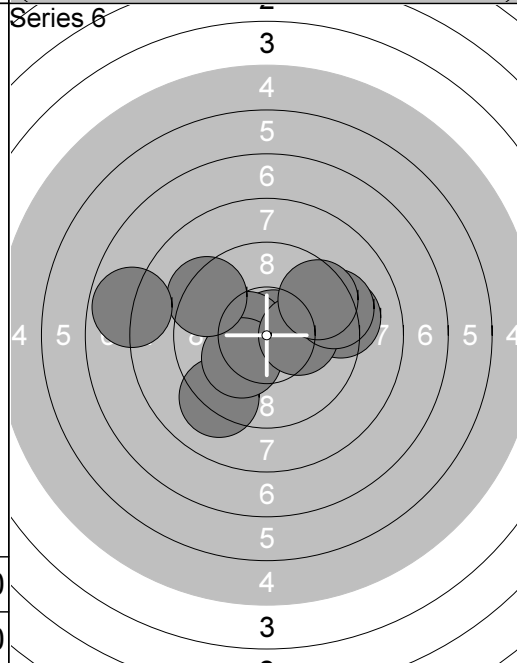
21: 9.9	←
22: 8.7	→
23: 8.2	↑
24: *10.2	↑
25: *10.4	↑
26: 8.4	←
27: *10.6	↓
28: 9.8	↓
29: 9.7	↓
30: 9.3	↓
Series	90.0
Total	279.0



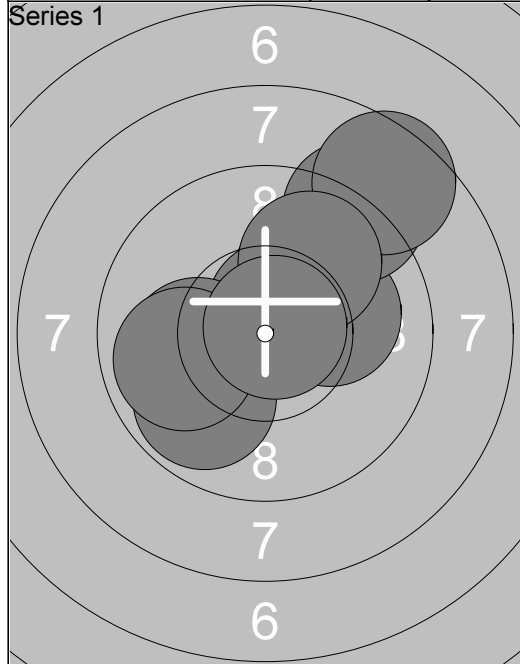
31: *10.9	↑
32: *10.4	↓
33: 8.9	↓
34: 9.0	→
35: *10.3	↓
36: 9.3	→
37: *10.4	↓
38: *10.2	↑
39: *10.6	↑
40: 9.9	→
Series	95.0
Total	374.0



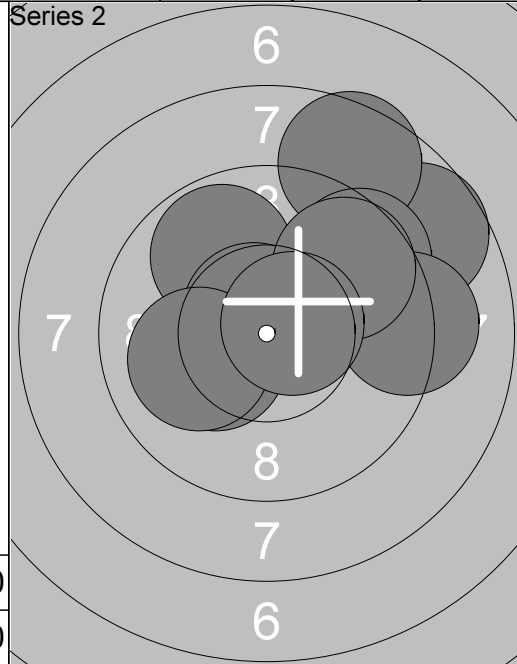
41: 9.7	→
42: 9.1	↑
43: 8.8	↑
44: *10.5	↑
45: 9.4	←
46: 9.8	↑
47: *10.4	→
48: 9.3	→
49: 9.7	↑
50: *10.7	↓
Series	92.0
Total	466.0



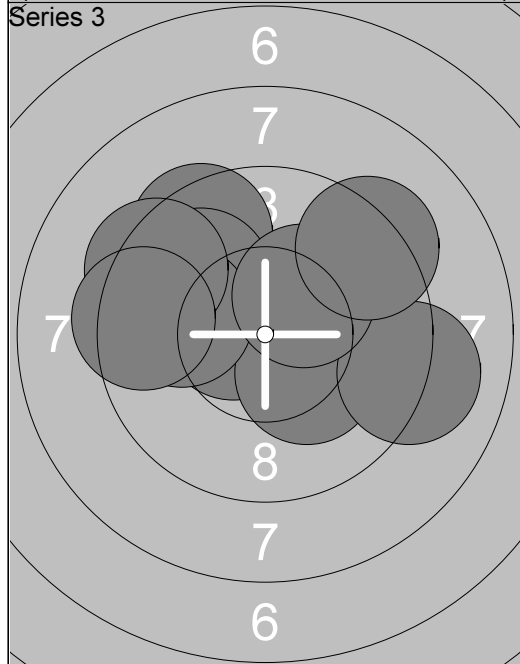
51: *10.8	↑
52: *10.5	←
53: 9.2	→
54: 9.2	↓
55: *10.2	↓
56: *10.2	→
57: 9.3	→
58: 9.3	←
59: 9.5	→
60: 7.9	←
Series	92.0
Total	558.0



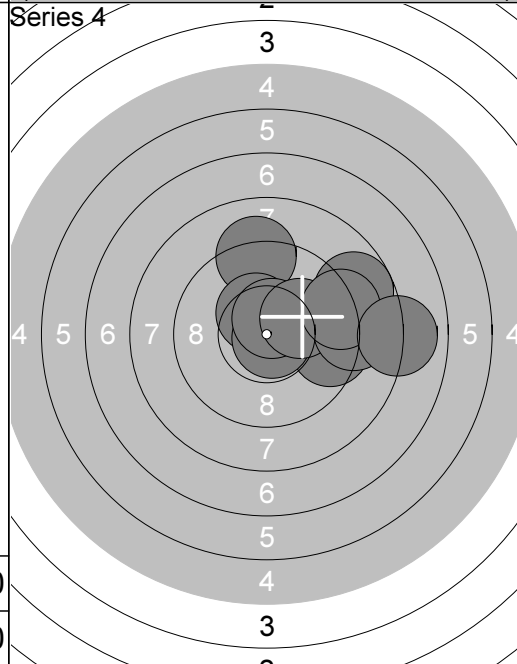
1: *10.2 ↗
2: *10.6 ↗
3: 10.1 ←
4: 9.8 ↙
5: 10.1 →
6: 9.1 ↗
7: 8.6 ↗
8: 9.9 ←
9: 9.9 ↗
10: *10.8 ↗
<b>Series 94.0</b>
<b>Total 94.0</b>



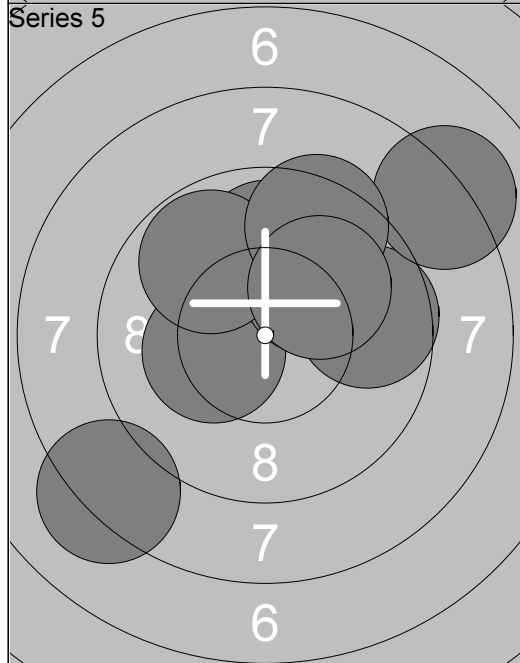
11: *10.2 ↙
12: 8.7 ↗
13: 8.6 ↗
14: 9.8 ↖
15: 9.5 ↗
16: *10.7 ↖
17: 9.2 →
18: 10.1 ←
19: 9.7 ↗
20: *10.6 ↗
<b>Series 92.0</b>
<b>Total 186.0</b>



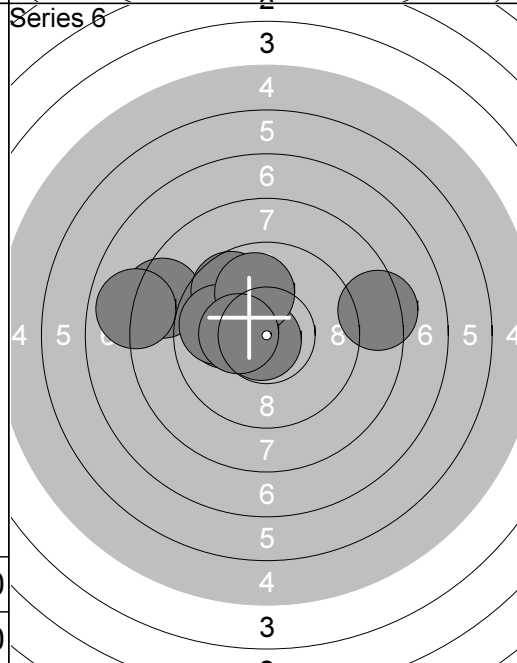
21: 9.5 ↖
22: *10.6 ↙
23: 9.9 ↖
24: *10.2 ↘
25: 9.9 ←
26: 9.4 ↖
27: 9.1 →
28: *10.3 ↗
29: 9.3 ↗
30: 9.4 ←
<b>Series 93.0</b>
<b>Total 279.0</b>



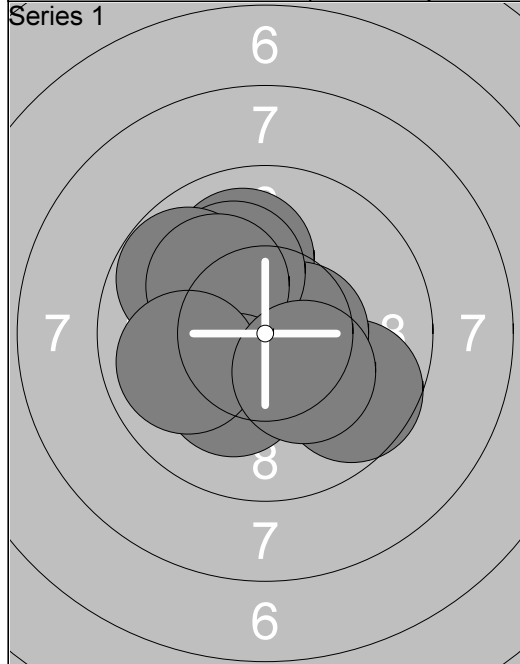
31: 9.5 →
32: 9.2 ↑
33: *10.4 ↖
34: *10.8 ↘
35: 8.8 →
36: *10.6 ↗
37: 10.1 →
38: 9.0 →
39: 9.2 →
40: 8.0 →
<b>Series 92.0</b>
<b>Total 371.0</b>



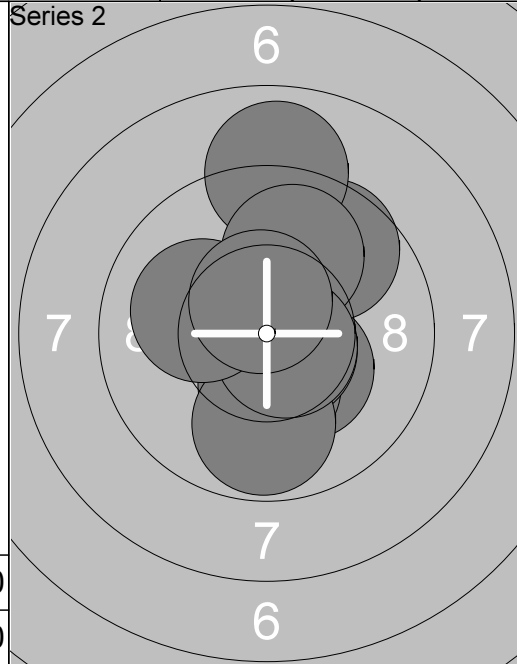
41: 9.6 →
42: *10.3 ↖
43: *10.3 ↙
44: 8.2 ↙
45: 8.1 ↗
46: 9.9 ↑
47: 10.1 ↗
48: 9.8 ↖
49: 9.5 ↗
50: 10.1 ↗
<b>Series 92.0</b>
<b>Total 463.0</b>



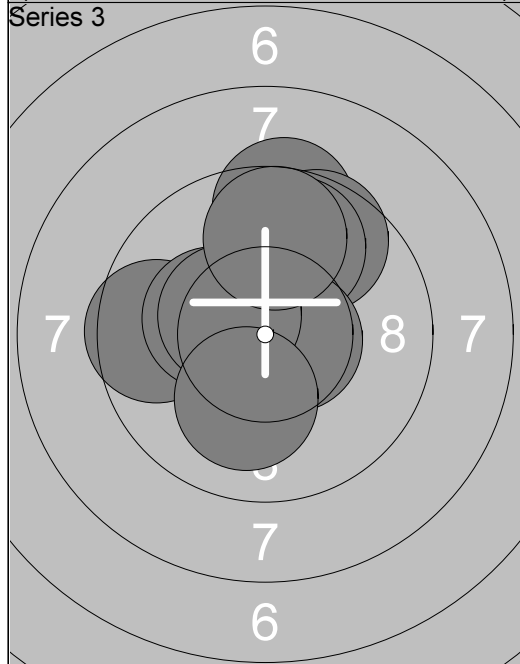
51: 9.9 ↖
52: 10.0 ↙
53: 8.4 ←
54: 9.6 ↖
55: 8.4 →
56: 9.9 ←
57: *10.8 ↙
58: 9.9 ↗
59: *10.3 ↙
60: 7.9 ←
<b>Series 89.0</b>
<b>Total 552.0</b>



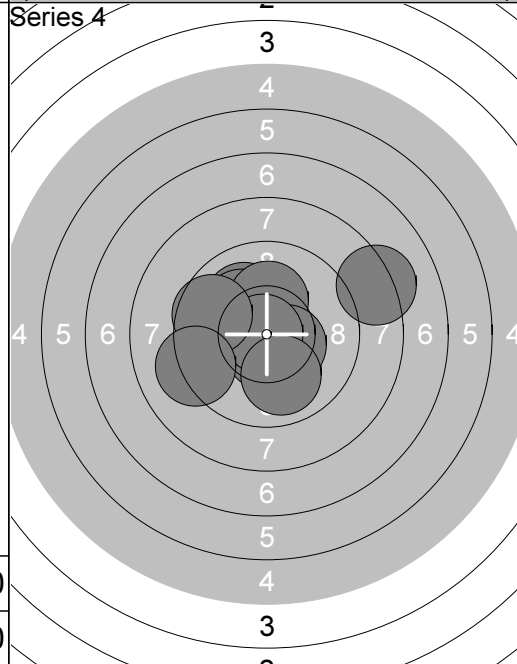
1:	10.0	↑
2:	9.7	→
3:	*10.6	→
4:	10.1	↑
5:	*10.4	←
6:	9.8	↖
7:	10.1	↖
8:	*10.2	↘
9:	9.9	←
10:	*10.3	↘
Series	97.0	
Total	97.0	



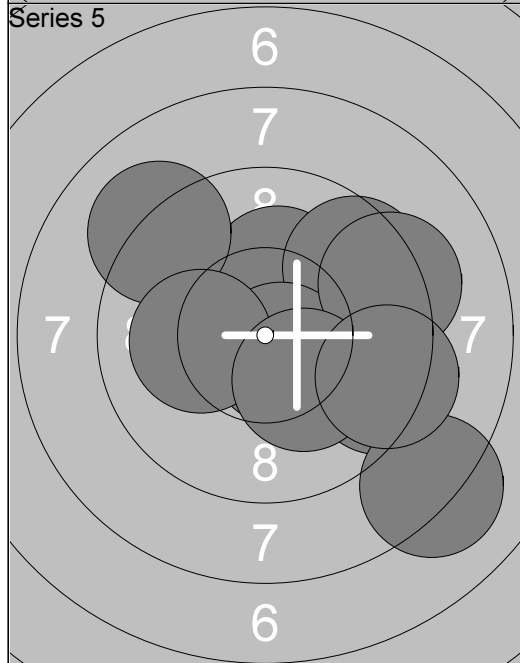
11:	*10.3	↘
12:	*10.3	↘
13:	9.6	↗
14:	*10.6	↘
15:	9.8	↓
16:	9.0	↑
17:	9.9	↗
18:	*10.6	↘
19:	10.1	←
20:	*10.6	↗
Series	96.0	
Total	193.0	



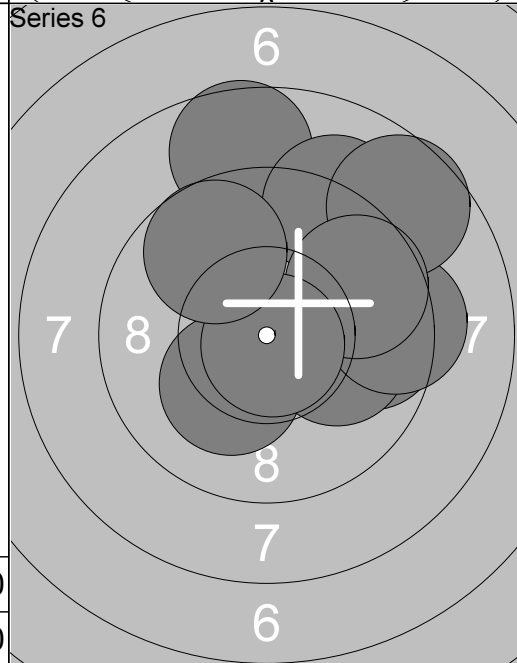
21:	*10.4	↑
22:	9.4	↑
23:	9.6	←
24:	9.6	↗
25:	9.8	↑
26:	*10.3	↖
27:	*10.6	→
28:	*10.4	↖
29:	9.7	↑
30:	10.1	↘
Series	95.0	
Total	288.0	



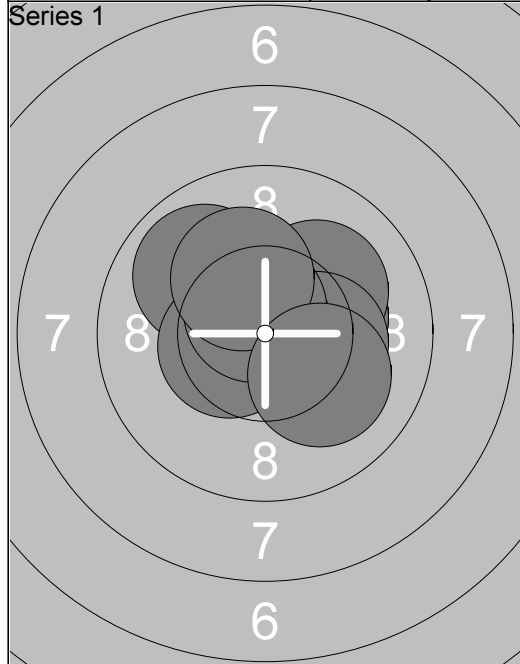
31:	10.1	↖
32:	*10.2	↖
33:	*10.6	↘
34:	*10.2	↑
35:	*10.4	↘
36:	8.2	↗
37:	*10.9	↖
38:	10.0	↓
39:	9.7	←
40:	9.2	↖
Series	96.0	
Total	384.0	



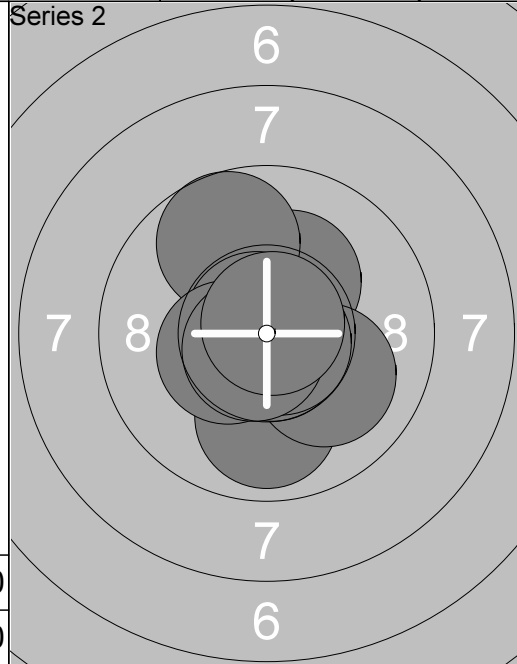
41:	*10.2	↑
42:	9.6	↗
43:	9.1	↖
44:	*10.6	↘
45:	10.1	←
46:	9.3	↗
47:	9.4	↗
48:	8.1	↘
49:	*10.2	↘
50:	9.3	↗
Series	93.0	
Total	477.0	



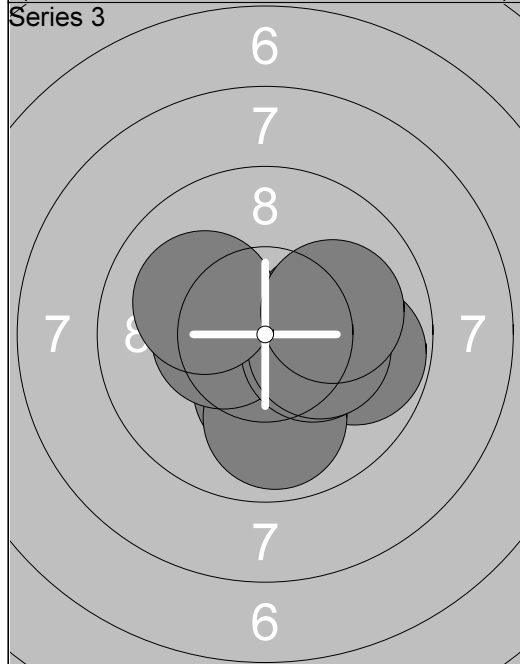
51:	8.6	↑
52:	9.1	↗
53:	9.7	→
54:	*10.2	↘
55:	10.0	→
56:	9.3	→
57:	8.7	↗
58:	9.7	↗
59:	*10.8	↘
60:	9.7	↖
Series	91.0	
Total	568.0	



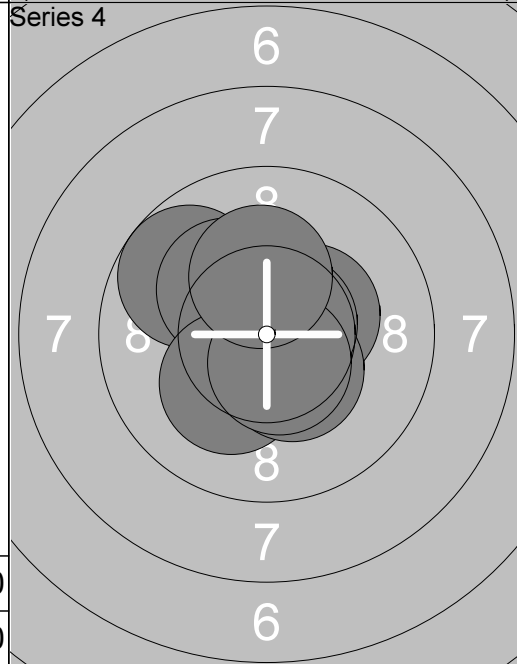
1: 9.9 ↖
2: *10.3 ➔
3: *10.3 ➔
4: 10.1 ↗
5: *10.8 ➔
6: *10.3 ➔
7: *10.5 ↙
8: *10.6 ↖
9: *10.2 ↖
10: 10.1 ➔
<b>Series 99.0</b>
<b>Total 99.0</b>



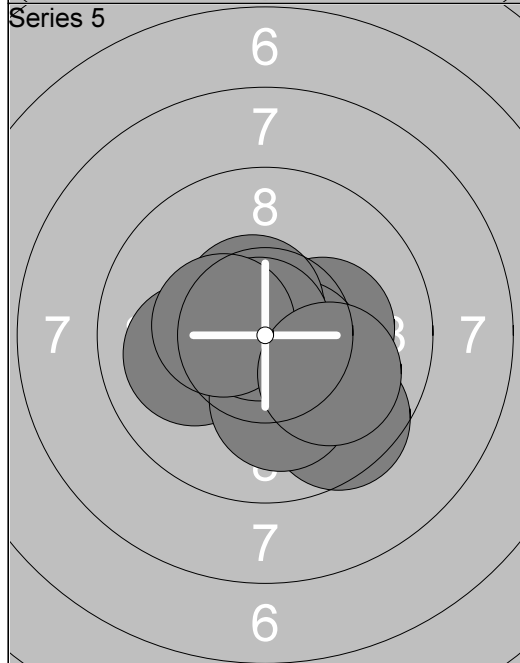
11: *10.2 ↗
12: 9.7 ↖
13: 9.9 ↓
14: *10.8 ↙
15: 10.1 ➔
16: *10.4 ↙
17: *10.7 ↓
18: *10.8 ➔
19: *10.7 ↙
20: *10.8 ↗
<b>Series 98.0</b>
<b>Total 197.0</b>



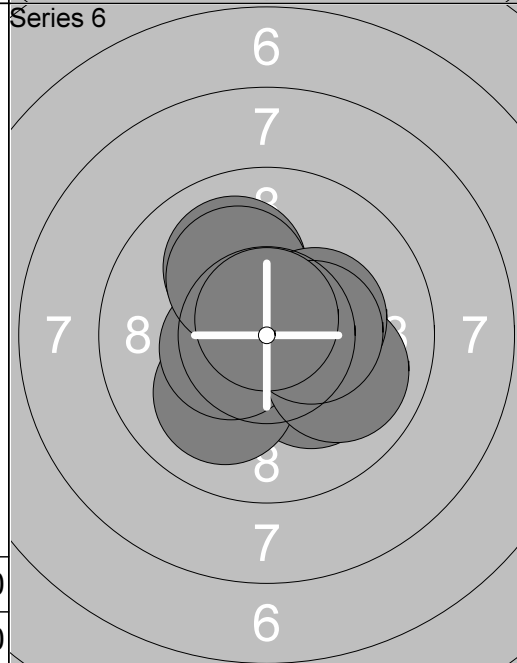
21: *10.3 ↓
22: 9.8 ➔
23: *10.7 ↓
24: 9.9 ↓
25: *10.2 ➔
26: *10.4 ↙
27: *10.3 ➔
28: *10.2 ➔
29: 10.1 ↙
30: 10.1 ➔
<b>Series 98.0</b>
<b>Total 295.0</b>



31: *10.6 ↙
32: 9.7 ↖
33: *10.7 ➔
34: *10.2 ↖
35: *10.4 ➔
36: *10.2 ↙
37: *10.4 ↓
38: *10.7 ➔
39: *10.6 ↓
40: *10.2 ↖
<b>Series 99.0</b>
<b>Total 394.0</b>



41: 9.6 ↓
42: *10.4 ➔
43: *10.2 ➔
44: *10.5 ➔
45: 10.0 ↙
46: *10.6 ↖
47: 10.1 ↓
48: *10.8 ↙
49: *10.4 ↙
50: 10.0 ➔
<b>Series 99.0</b>
<b>Total 493.0</b>

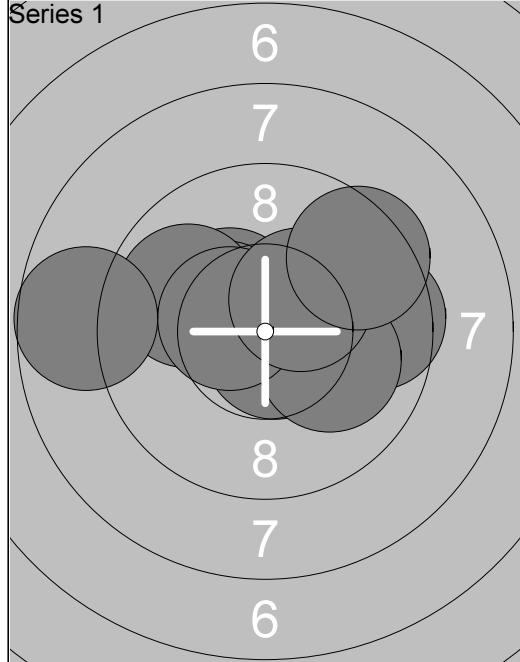


51: *10.2 ↘
52: 10.1 ↙
53: 10.0 ↖
54: *10.5 ↙
55: *10.7 ↗
56: *10.2 ↖
57: 10.0 ➔
58: *10.3 ➔
59: *10.4 ➔
60: *10.8 ↗
<b>Series 100.0</b>
<b>Total 593.0</b>

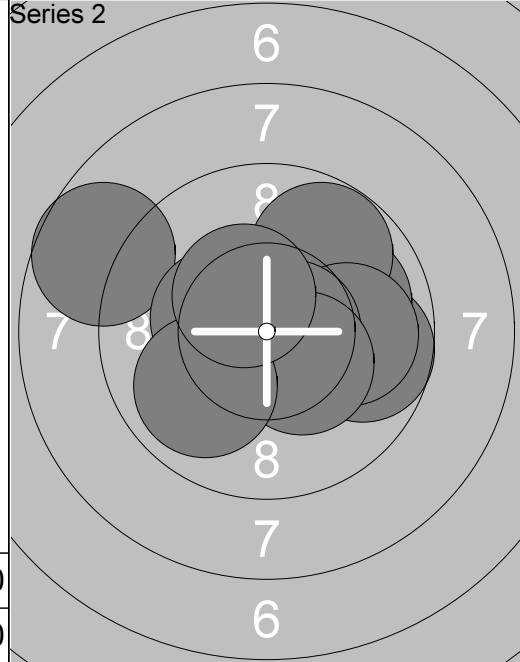
<p><b>Series 1</b></p>	<p>1: 9.9 →</p> <p>2: 10.0 ↘</p> <p>3: 8.2 →</p> <p>4: 9.9 ↓</p> <p>5: 7.7 →</p> <p>6: 9.3 ←</p> <p>7: 9.4 ↘</p> <p>8: 10.0 ↘</p> <p>9: 8.5 ↓</p> <p>10: 10.1 ↗</p> <p><b>Series 89.0</b></p> <p><b>Total 89.0</b></p>	<p><b>Series 2</b></p>	<p>11: *10.5 ↘</p> <p>12: 6.9 →</p> <p>13: *10.2 ↘</p> <p>14: *10.2 ↘</p> <p>15: 9.5 ↓</p> <p>16: 9.9 ↘</p> <p>17: 7.0 →</p> <p>18: 9.4 →</p> <p>19: 9.8 ←</p> <p>20: 7.8 ↓</p> <p><b>Series 86.0</b></p> <p><b>Total 175.0</b></p>
------------------------	------------------------------------------------------------------------------------------------------------------------------------------------------------------------------------------------------------------------	------------------------	-------------------------------------------------------------------------------------------------------------------------------------------------------------------------------------------------------------------------------------

<p><b>Series 3</b></p>	<p>21: 9.7 ←</p> <p>22: 9.3 ↓</p> <p>23: 9.3 ↓</p> <p>24: 9.3 ↓</p> <p>25: 9.1 ↓</p> <p>26: *10.4 ↘</p> <p>27: *10.7 ↓</p> <p>28: 7.9 ←</p> <p>29: 10.1 →</p> <p>30: 8.9 ↘</p> <p><b>Series 90.0</b></p> <p><b>Total 265.0</b></p>	<p><b>Series 4</b></p>	<p>31: *10.8 ↗</p> <p>32: 10.0 ↗</p> <p>33: *10.2 ↑</p> <p>34: 9.3 →</p> <p>35: *10.2 ↑</p> <p>36: 9.2 ↘</p> <p>37: 9.3 ↗</p> <p>38: *10.3 ↘</p> <p>39: 9.2 ←</p> <p>40: 6.6 ←</p> <p><b>Series 92.0</b></p> <p><b>Total 357.0</b></p>
------------------------	------------------------------------------------------------------------------------------------------------------------------------------------------------------------------------------------------------------------------------	------------------------	----------------------------------------------------------------------------------------------------------------------------------------------------------------------------------------------------------------------------------------

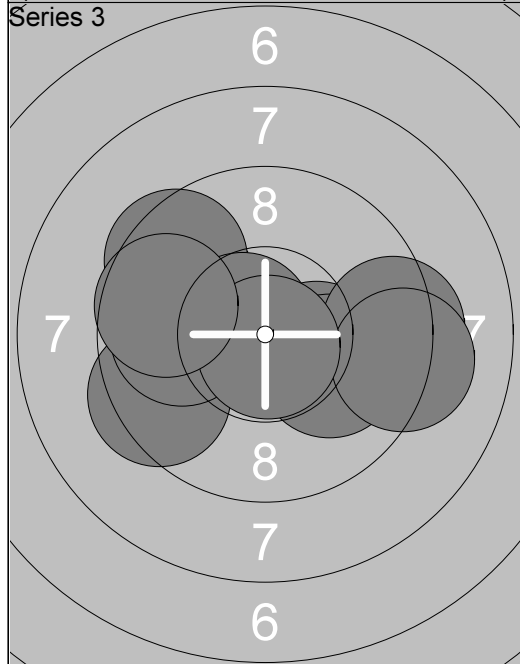
<p><b>Series 5</b></p>	<p>41: *10.4 ↗</p> <p>42: *10.6 ↘</p> <p>43: *10.4 ←</p> <p>44: 10.1 ↓</p> <p>45: 9.1 ↑</p> <p>46: 10.0 ↘</p> <p>47: 10.1 ←</p> <p>48: 9.4 →</p> <p>49: 8.6 ←</p> <p>50: 8.9 ↓</p> <p><b>Series 94.0</b></p> <p><b>Total 451.0</b></p>	<p><b>Series 6</b></p>	<p>51: 8.0 ←</p> <p>52: 9.5 ↗</p> <p>53: 9.9 ↗</p> <p>54: 8.7 ↓</p> <p>55: 8.7 ↑</p> <p>56: 9.0 ↗</p> <p>57: 8.8 ↑</p> <p>58: 8.4 ←</p> <p>59: 8.8 ↗</p> <p>60: 9.2 ↗</p> <p><b>Series 84.0</b></p> <p><b>Total 535.0</b></p>
------------------------	----------------------------------------------------------------------------------------------------------------------------------------------------------------------------------------------------------------------------------------	------------------------	-------------------------------------------------------------------------------------------------------------------------------------------------------------------------------------------------------------------------------



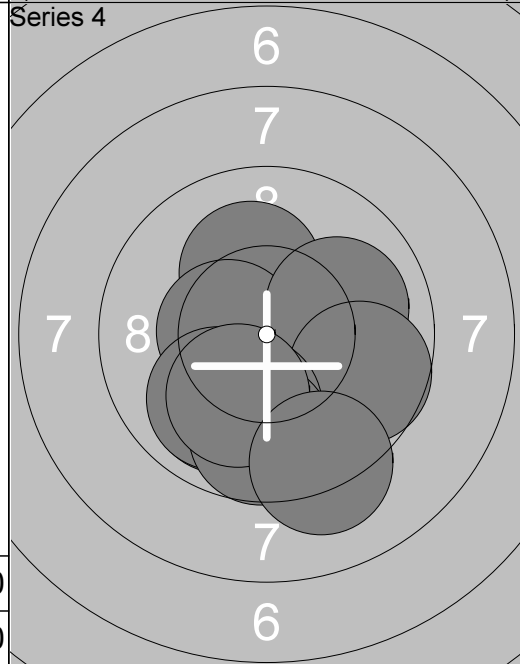
1:	*10.4 ↖
2:	9.6 →
3:	*10.4 ↖
4:	*10.7 ↘
5:	9.9 ↖
6:	10.1 →
7:	*10.5 ↖
8:	*10.3 ↗
9:	8.7 ←
10:	9.5 ↗
Series	95.0
Total	95.0



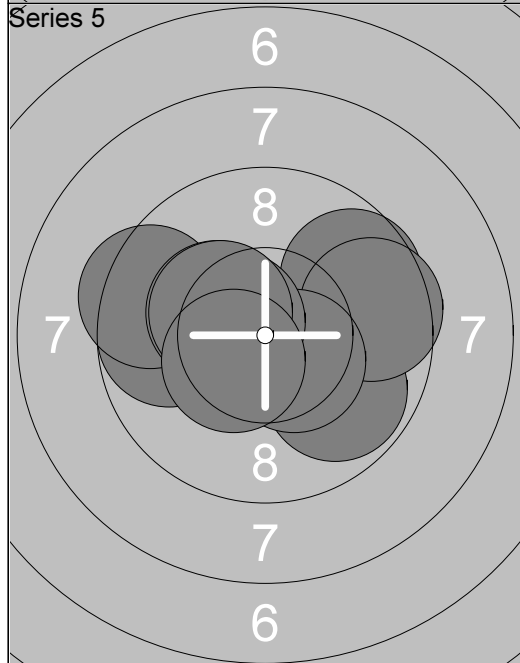
11:	8.7 ↖
12:	9.7 →
13:	10.0 →
14:	9.8 ↗
15:	9.9 →
16:	*10.7 →
17:	*10.4 ↖
18:	*10.3 ↘
19:	9.9 ↖
20:	*10.4 ↖
Series	94.0
Total	189.0



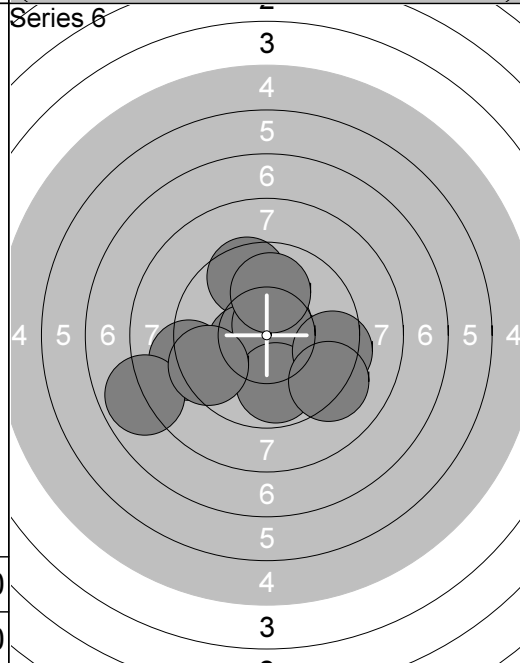
21:	9.5 ↖
22:	*10.3 →
23:	9.4 ↖
24:	*10.6 ↖
25:	10.1 →
26:	9.4 →
27:	9.9 ←
28:	9.2 →
29:	*10.8 ↘
30:	9.7 ↖
Series	94.0
Total	283.0



31:	*10.2 ↖
32:	*10.5 ↖
33:	9.9 ↘
34:	9.9 ↘
35:	10.0 →
36:	9.7 →
37:	10.0 ↘
38:	9.7 ↘
39:	10.1 ↘
40:	9.2 ↘
Series	95.0
Total	378.0

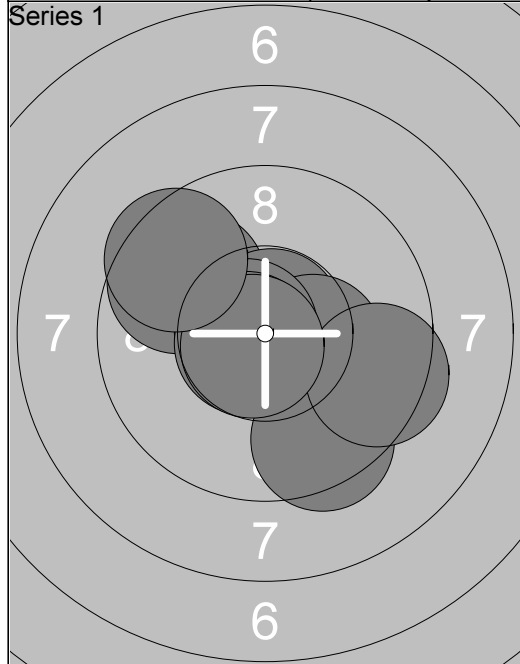


41:	9.7 ↗
42:	9.7 ↖
43:	9.8 ↘
44:	9.6 →
45:	*10.5 ↘
46:	9.4 ↖
47:	*10.5 ↖
48:	*10.3 ↖
49:	*10.3 ↖
50:	*10.5 ↘
Series	95.0
Total	473.0

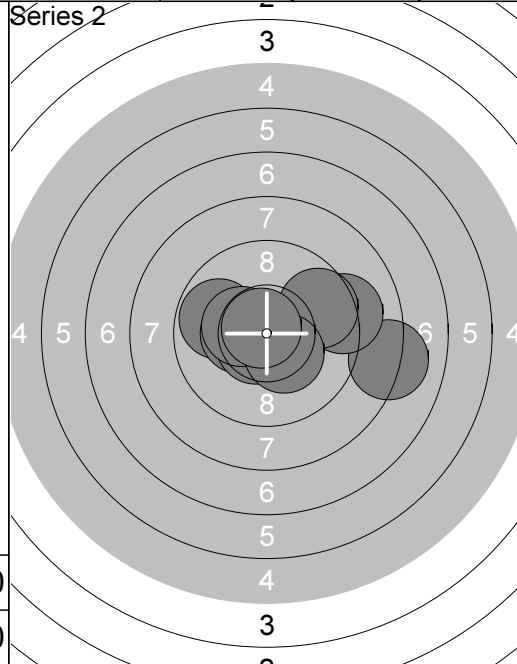


51:	9.6 ↖
52:	*10.5 ↖
53:	*10.7 ↗
54:	9.8 ↘
55:	9.4 →
56:	10.0 ↗
57:	9.1 ↖
58:	9.2 ↘
59:	7.9 ↖
60:	9.5 ↖
Series	91.0
Total	564.0

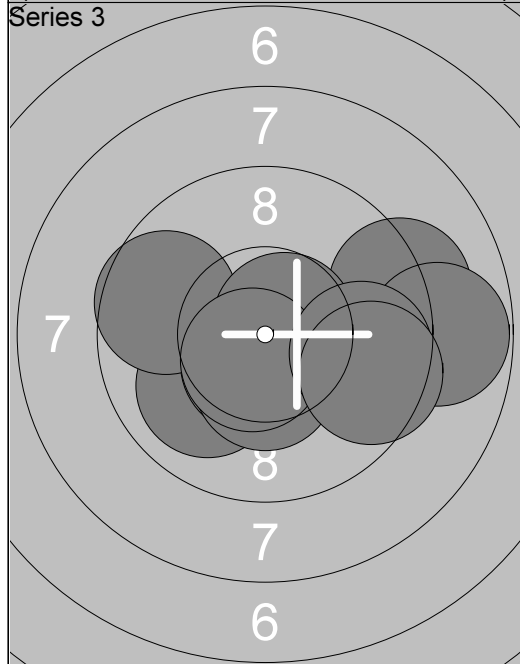
Relay	Lane	Juho Kurki			
4	7	KaA	Y	R	
09.-10.03.2013		Kevätkilpailu		Kankaanpään Ampumaurheilijat	
Series 1		1: 9.8 →		11: *10.6 ↗	
		2: *10.4 →		12: *10.5 ↖	
		3: *10.6 ↖		13: *10.6 ↙	
		4: *10.8 ↗		14: *10.7 ↘	
		5: *10.7 ↖		15: *10.8 ↖	
		6: *10.4 ↗		16: *10.5 ↘	
		7: *10.5 ↗		17: 9.3 →	
		8: 10.0 ↘		18: 9.4 ↘	
		9: *10.7 ↖		19: 9.8 →	
		10: 10.1 →		20: *10.6 ↘	
Series 99.0		Series 97.0			
Total 99.0		Total 196.0			
Series 3		21: *10.4 →		31: 10.0 →	
		22: 10.1 ↖		32: *10.7 ↗	
		23: 10.1 ↙		33: *10.4 ↗	
		24: 9.8 ↘		34: *10.7 ↗	
		25: 9.8 ↖		35: 10.0 ←	
		26: *10.2 ↘		36: *10.7 ↘	
		27: *10.4 ←		37: *10.5 →	
		28: 10.0 ↖		38: *10.8 ↙	
		29: *10.7 →		39: 10.1 ↘	
		30: *10.6 ↗		40: 10.1 ↘	
Series 98.0		Series 100.0			
Total 294.0		Total 394.0			
Series 5		41: *10.4 ↙		51: *10.8 ↗	
		42: 10.0 ↙		52: *10.6 ↗	
		43: *10.3 ↙		53: *10.7 →	
		44: *10.7 ↗		54: *10.7 →	
		45: *10.8 →		55: 9.6 ←	
		46: 9.8 ↗		56: 9.9 →	
		47: *10.7 ↗		57: *10.7 ↘	
		48: *10.6 ↗		58: *10.7 ↘	
		49: *10.4 →		59: *10.4 →	
		50: 10.0 →		60: *10.6 ↗	
Series 99.0		Series 98.0			
Total 493.0		Total 591.0			



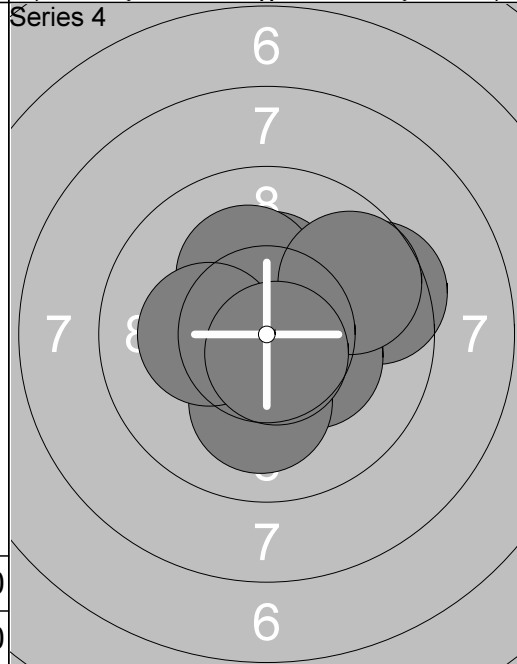
1: 9.9 ↖
2: 9.7 ↖
3: *10.8 ↗
4: *10.3 →
5: *10.7 ↖
6: 9.4 ↘
7: *10.7 ↖
8: 9.5 →
9: *10.7 ↘
10: 9.5 ↖
<b>Series 95.0</b>
<b>Total 95.0</b>



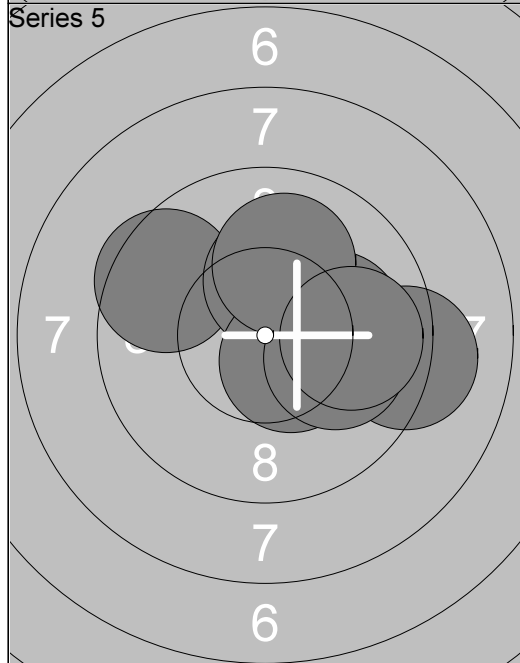
11: 9.8 ↖
12: *10.4 ←
13: 8.1 →
14: *10.9 ↗
15: 9.2 →
16: 9.7 ↗
17: *10.6 ↘
18: *10.4 ←
19: *10.4 ↘
20: *10.8 ↘
<b>Series 95.0</b>
<b>Total 190.0</b>



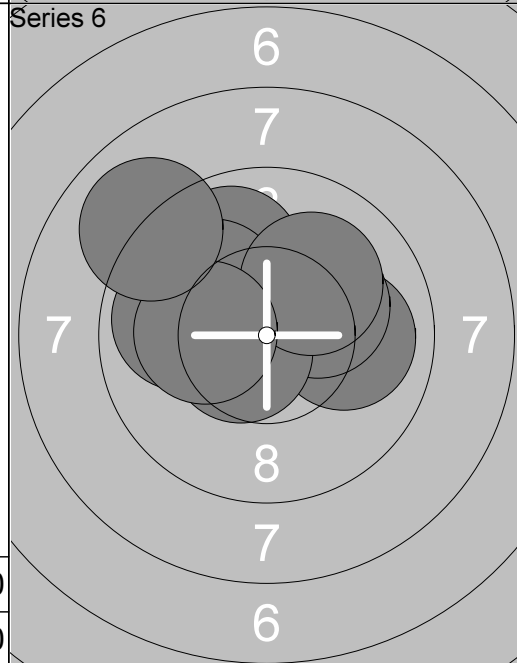
21: 10.0 ↘
22: *10.6 ↘
23: 9.2 →
24: 9.7 ↖
25: *10.7 ↗
26: 8.8 →
27: *10.4 ↘
28: *10.6 ↘
29: 9.7 →
30: 9.5 →
<b>Series 94.0</b>
<b>Total 284.0</b>



31: *10.6 ←
32: *10.3 ↗
33: *10.8 ↘
34: *10.2 ↗
35: 9.5 →
36: *10.3 →
37: 10.1 ↘
38: 9.7 ↗
39: *10.2 ←
40: *10.7 ↘
<b>Series 98.0</b>
<b>Total 382.0</b>

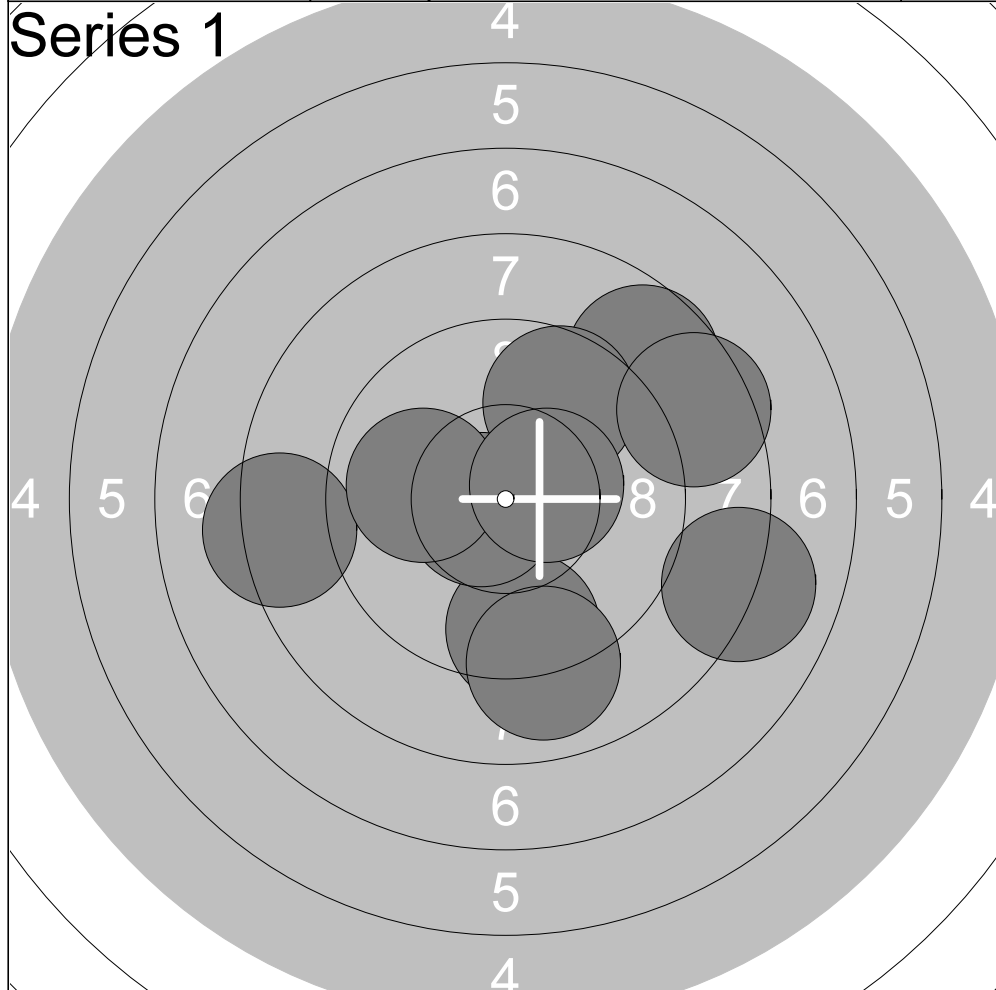


41: *10.5 →
42: 10.1 →
43: *10.4 →
44: 9.5 ↖
45: *10.3 ↗
46: 9.2 →
47: *10.5 ↘
48: 10.0 →
49: 10.0 ↗
50: 9.9 →
<b>Series 97.0</b>
<b>Total 479.0</b>



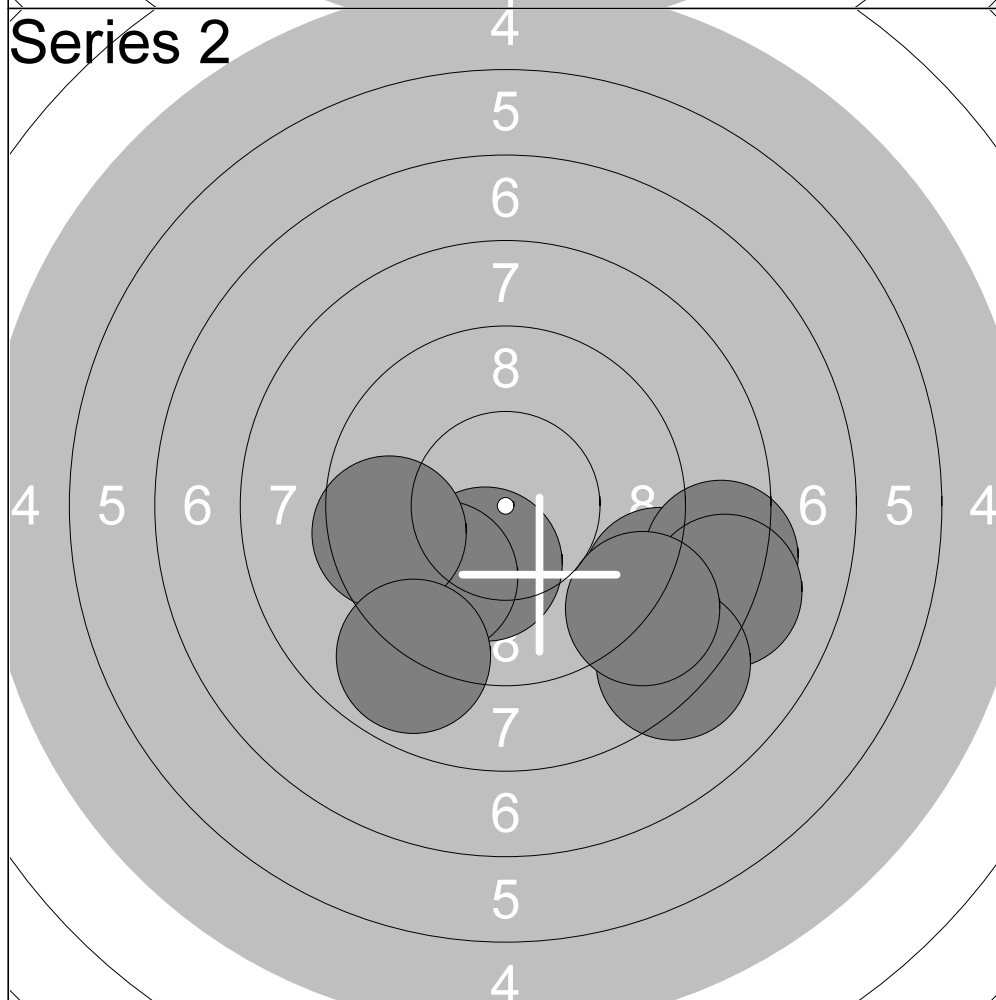
51: 9.9 ↗
52: 9.9 ↖
53: 10.0 →
54: *10.5 ←
55: *10.2 ↗
56: *10.6 ↘
57: 10.1 ↖
58: 10.1 ↗
59: *10.2 ←
60: 9.0 ↖
<b>Series 97.0</b>
<b>Total 576.0</b>





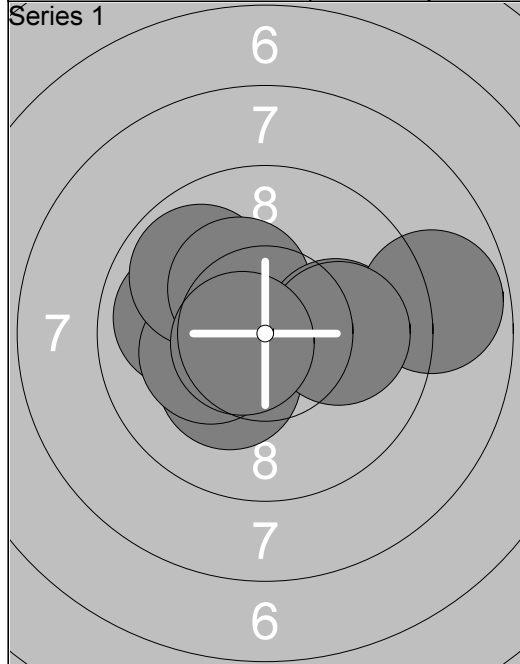
1:	8.3	←
2:	8.7	↗
3:	9.7	↗
4:	8.0	→
5:	9.4	↓
6:	8.5	↗
7:	*10.7	←
8:	9.0	↓
9:	10.0	←
10:	*10.4	→

Series	89.0
Total	89.0

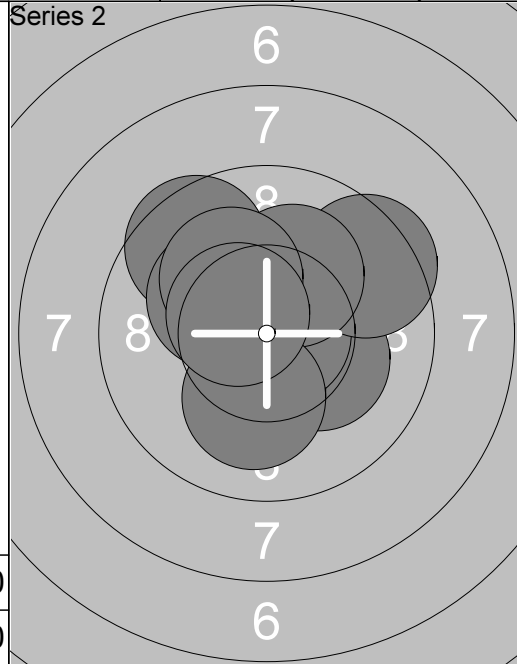


11:	8.9	↘
12:	8.4	→
13:	*10.2	↘
14:	8.2	→
15:	9.8	↘
16:	9.6	←
17:	8.9	↘
18:	8.2	↘
19:	8.9	↘

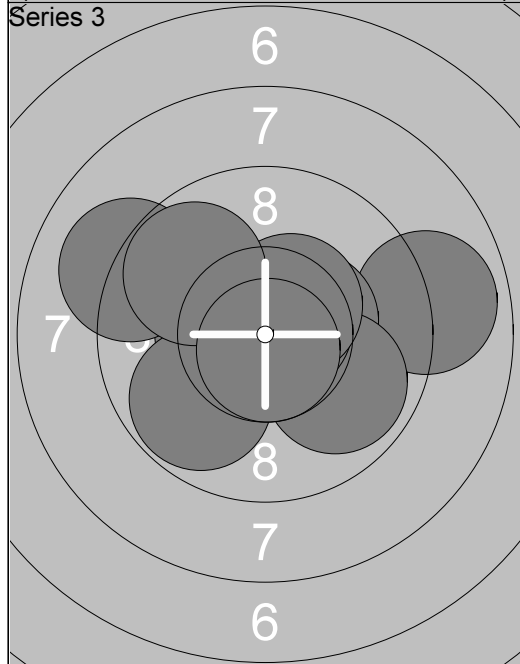
Series	76.0
Total	165.0



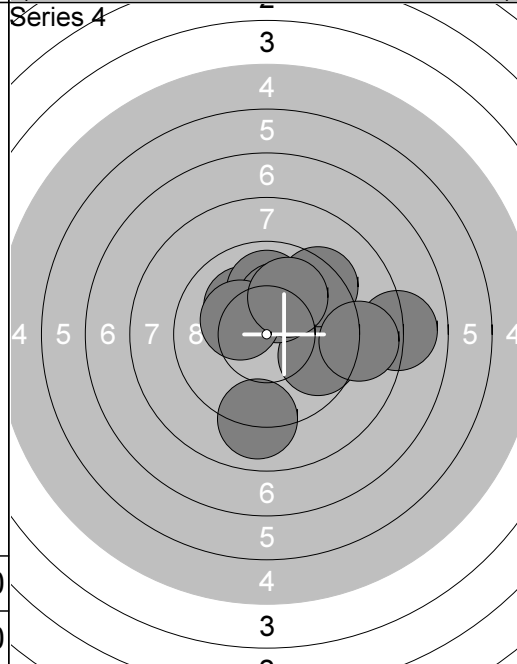
1:	*10.8↖
2:	*10.2↘
3:	9.9 ←
4:	*10.2↘
5:	9.9 ↖
6:	*10.3↗
7:	10.1→
8:	8.8 →
9:	10.0→
10:	*10.6↘
<b>Series 96.0</b>	
<b>Total 96.0</b>	



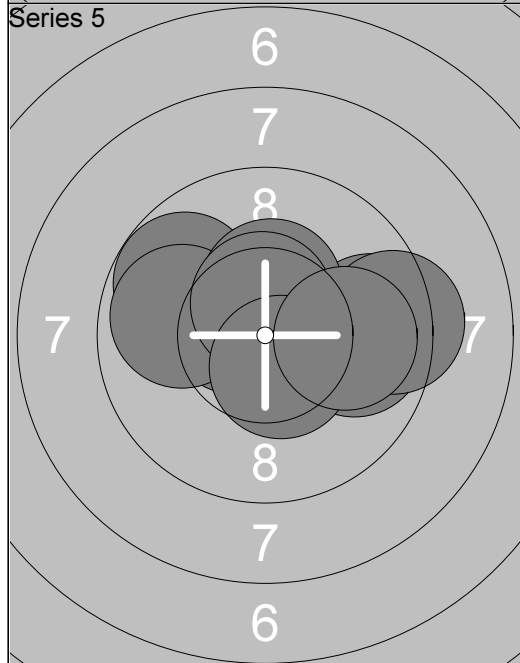
11:	*10.8→
12:	*10.2↘
13:	*10.8→
14:	9.4 ↗
15:	9.5 ↖
16:	*10.2↗
17:	*10.2↖
18:	10.1 ↖
19:	10.1 ↓
20:	*10.5↖
<b>Series 98.0</b>	
<b>Total 194.0</b>	



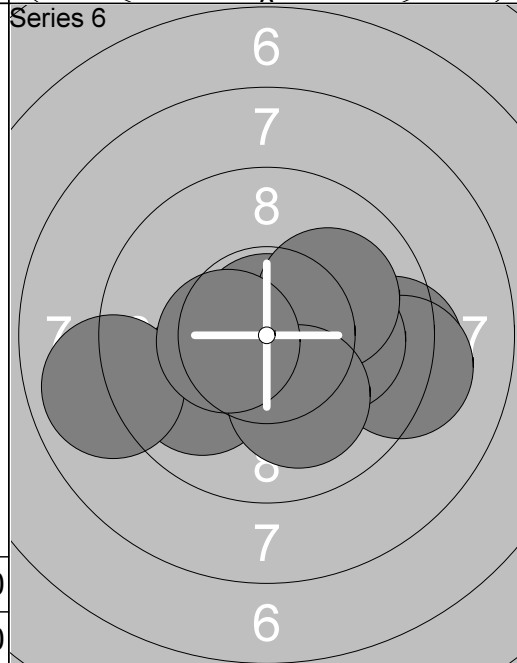
21:	8.9 →
22:	*10.4→
23:	*10.5↖
24:	9.9 ↘
25:	9.1 ↖
26:	*10.7↗
27:	9.8 ↘
28:	*10.5↗
29:	9.8 ↖
30:	*10.8↓
<b>Series 94.0</b>	
<b>Total 288.0</b>	



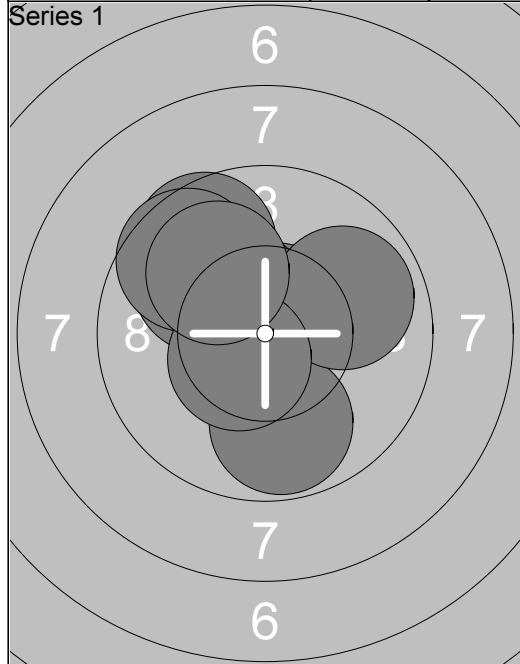
31:	10.1 ↖
32:	8.0 →
33:	9.7 →
34:	9.4 ↗
35:	9.0 ↓
36:	9.9 ↑
37:	*10.2↗
38:	*10.3↖
39:	10.0 ↗
40:	8.9 →
<b>Series 92.0</b>	
<b>Total 380.0</b>	



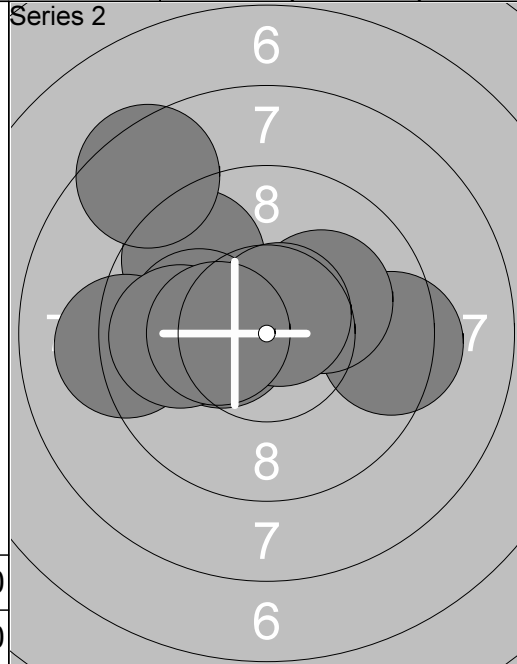
41:	9.8 ↖
42:	*10.6↖
43:	9.9 ←
44:	9.6 →
45:	9.8 →
46:	*10.4↑
47:	*10.5↑
48:	9.3 →
49:	*10.5↓
50:	9.9 →
<b>Series 94.0</b>	
<b>Total 474.0</b>	



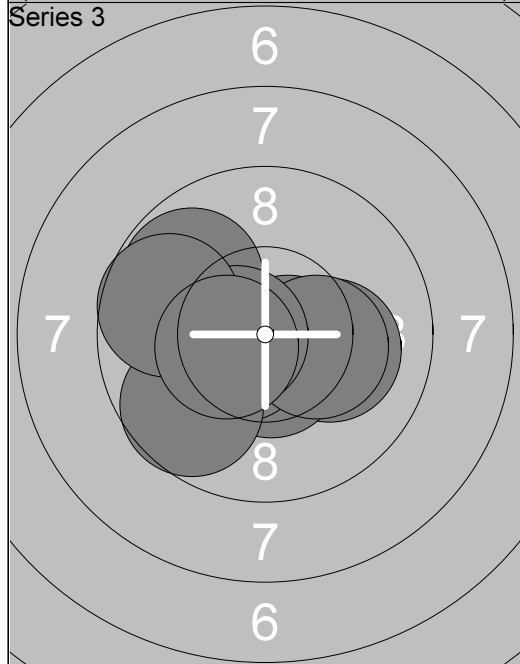
51:	9.4 →
52:	9.9 →
53:	10.0↖
54:	*10.8↑
55:	8.9 ←
56:	9.2 →
57:	10.1→
58:	10.1↗
59:	10.1 ↓
60:	*10.5↖
<b>Series 95.0</b>	
<b>Total 569.0</b>	



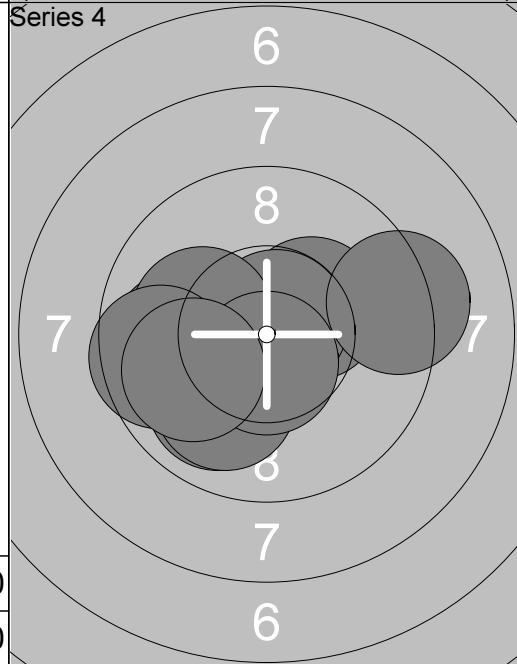
1: *10.7 ↗
2: *10.8 ↑
3: 9.9 ↖
4: 9.6 ↗
5: 9.6 ↗
6: 9.8 ↓
7: *10.4 ↘
8: 9.9 →
9: *10.5 ↘
10: 10.0 ↖
<b>Series 95.0</b>
<b>Total 95.0</b>



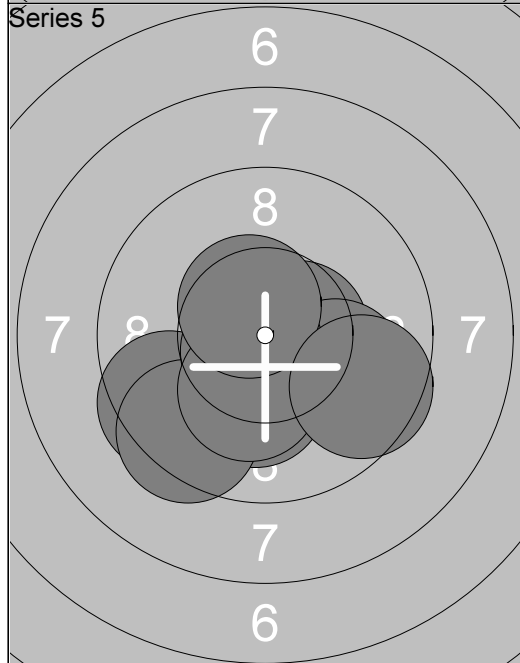
11: 9.4 →
12: 10.1 ↗
13: 9.7 ↖
14: 10.1 ←
15: *10.4 ←
16: 9.2 ←
17: 9.9 ←
18: 8.5 ↖
19: *10.7 ↗
20: *10.3 ←
<b>Series 94.0</b>
<b>Total 189.0</b>



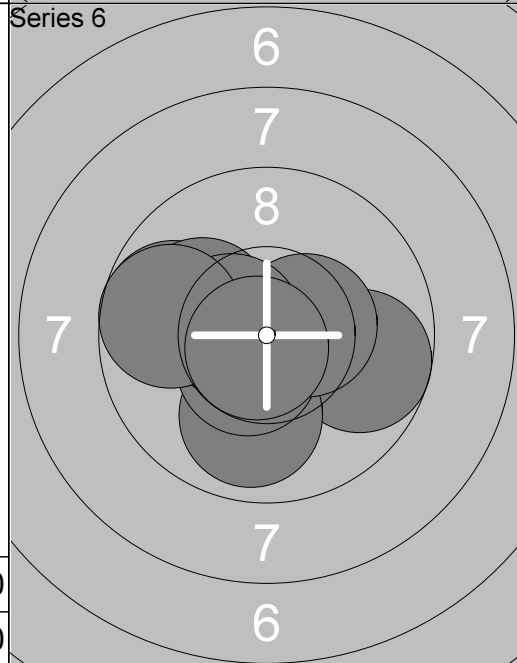
21: 9.8 ↖
22: 10.1 →
23: *10.6 ↘
24: *10.5 ↓
25: *10.6 ↘
26: *10.3 →
27: *10.6 ←
28: 9.7 ↖
29: 9.7 ←
30: *10.5 ↘
<b>Series 97.0</b>
<b>Total 286.0</b>



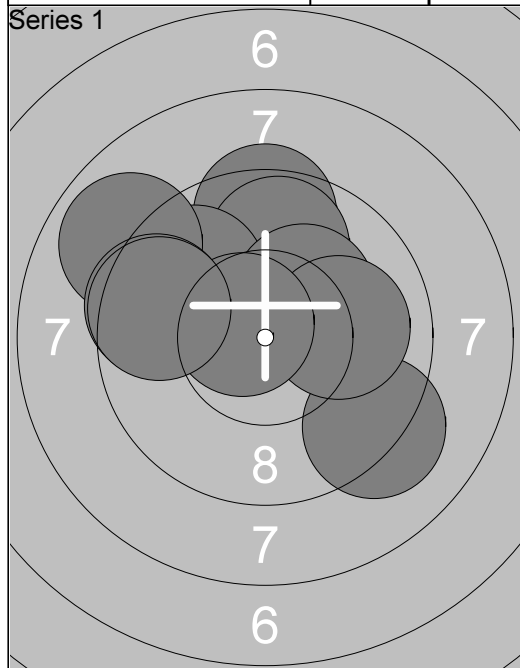
31: 9.9 ←
32: 9.9 ↘
33: *10.3 ↗
34: *10.7 ↗
35: 10.0 ↘
36: 9.3 →
37: 10.1 ←
38: 9.6 ←
39: *10.6 ↓
40: 9.9 ←
<b>Series 95.0</b>
<b>Total 381.0</b>



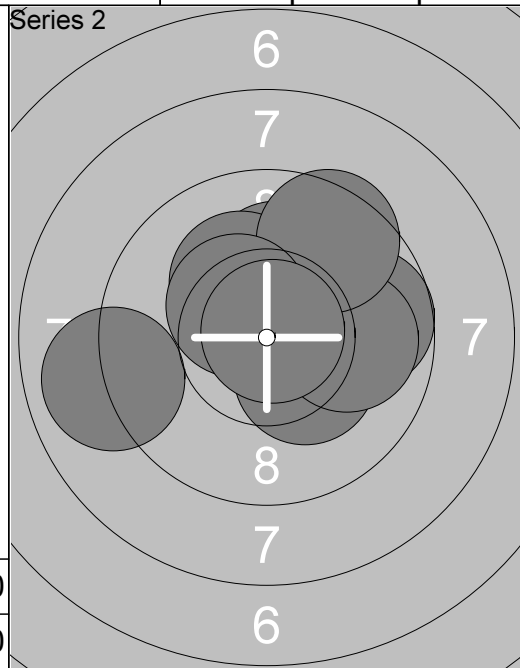
41: *10.5 →
42: *10.2 ↘
43: 10.0 →
44: *10.2 ↓
45: 9.5 ↖
46: 9.4 ↖
47: *10.7 ↘
48: *10.3 ↘
49: *10.5 ↖
50: 9.6 →
<b>Series 97.0</b>
<b>Total 478.0</b>



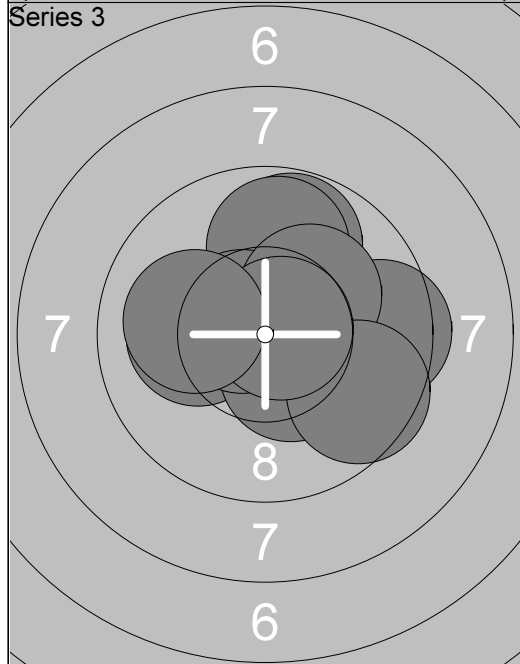
51: *10.7 ↘
52: 9.8 →
53: 9.9 ↓
54: 9.7 ←
55: 10.1 ←
56: *10.5 ↘
57: *10.4 →
58: *10.5 ←
59: 9.7 ←
60: *10.7 ↘
<b>Series 96.0</b>
<b>Total 574.0</b>



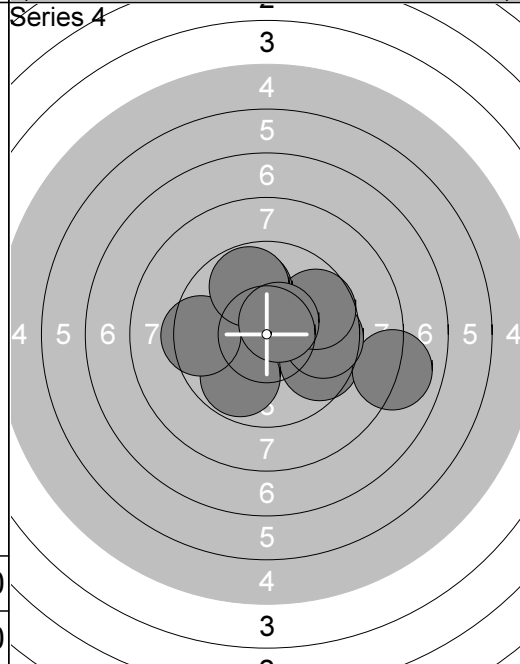
1: 9.4 ↑
2: 9.8 ↑
3: 9.2 ↘
4: 9.8 ↗
5: *10.3 ↗
6: 8.9 ↗
7: 9.5 ←
8: 10.0 →
9: *10.6 ↘
10: 9.6 ←
Series 92.0
Total 92.0



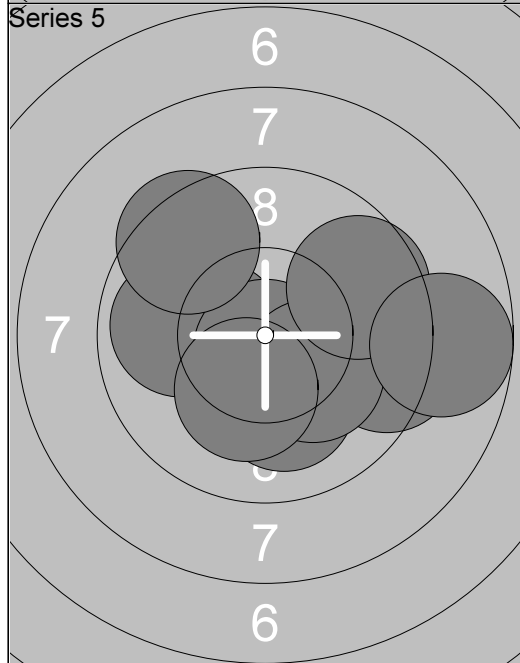
11: *10.3 ↘
12: 9.0 ←
13: 10.1 ↑
14: *10.2 ↗
15: 9.7 →
16: *10.4 ↗
17: 10.0 →
18: 9.5 ↗
19: *10.4 ↘
20: *10.9 ↗
Series 97.0
Total 189.0



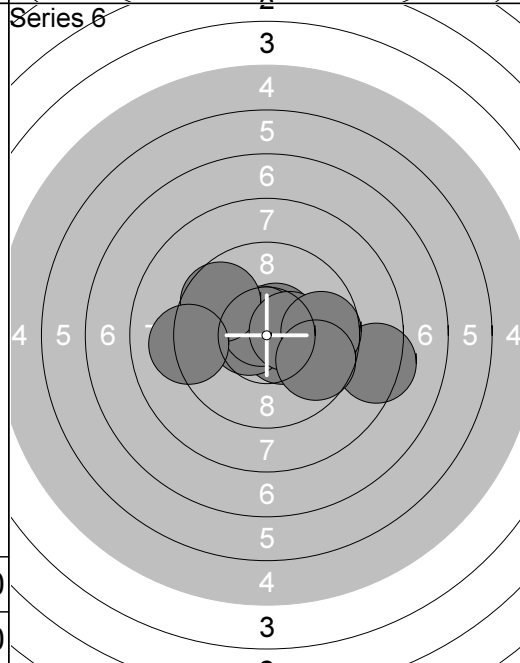
21: 10.1 ←
22: 9.8 ↑
23: 9.5 →
24: 9.9 ↑
25: *10.4 ↘
26: *10.6 ↘
27: *10.2 ↗
28: 9.6 →
29: *10.7 ↗
30: 10.1 ←
Series 96.0
Total 285.0



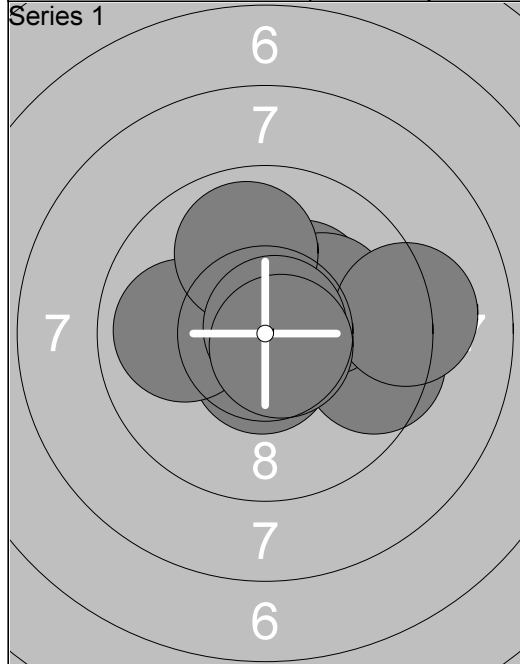
31: 9.6 →
32: 8.0 →
33: *10.2 ↘
34: 9.7 →
35: 9.7 →
36: 9.8 ↘
37: 9.9 ↑
38: 9.5 ←
39: 9.8 ↑
40: *10.6 ↗
Series 91.0
Total 376.0



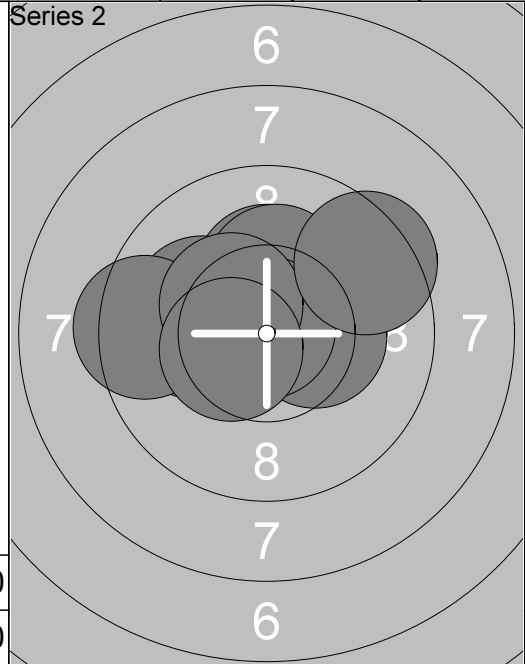
41: 9.4 →
42: 10.1 ↓
43: *10.3 ←
44: 9.9 ←
45: *10.7 ↓
46: *10.2 ↘
47: 9.5 ↗
48: 9.6 →
49: 8.7 →
50: *10.2 ↓
Series 94.0
Total 470.0



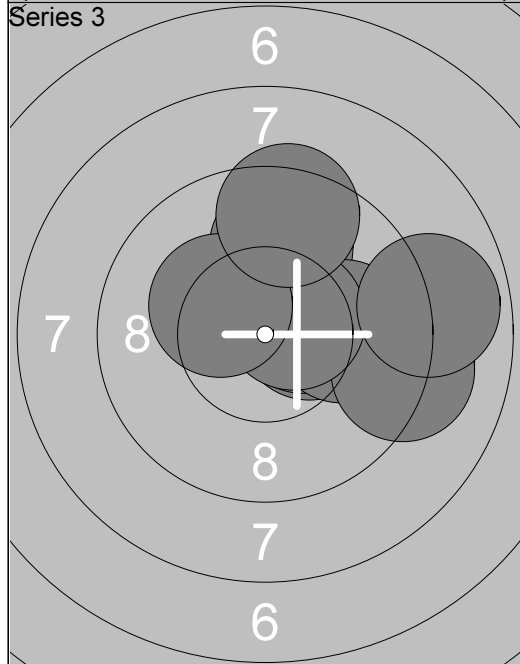
51: *10.6 ↗
52: *10.5 ↘
53: *10.5 ←
54: *10.7 ↗
55: 9.7 ↘
56: 8.4 →
57: *10.4 →
58: 9.7 →
59: 9.2 ←
60: 9.7 →
Series 94.0
Total 564.0



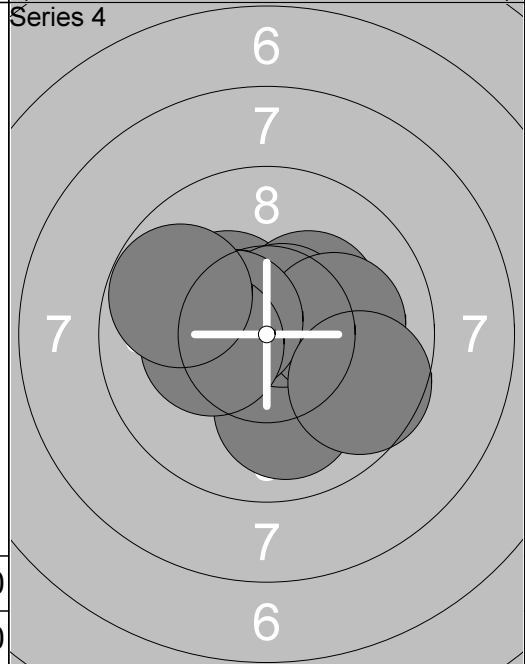
1:	*10.3 ↗
2:	*10.7 ↗
3:	9.6 →
4:	10.1 →
5:	*10.6 ↓
6:	10.0 ←
7:	9.9 ↑
8:	9.2 →
9:	*10.8 ↗
10:	*10.7 ↘
Series	97.0
Total	97.0



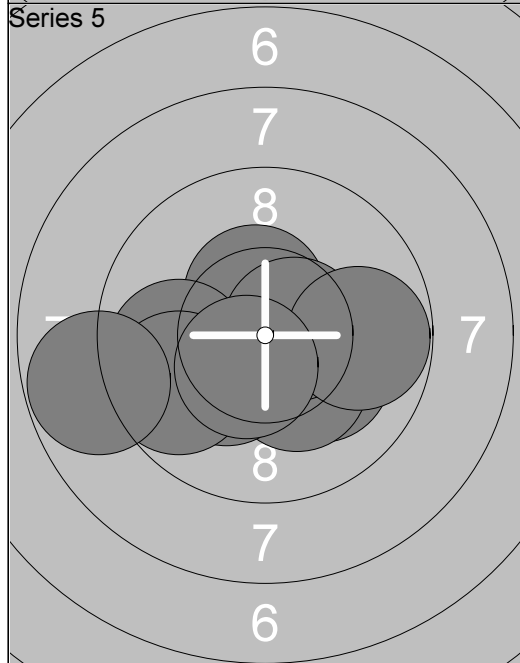
11:	10.1 ←
12:	*10.2 ↑
13:	*10.3 →
14:	10.1 ←
15:	*10.2 ↑
16:	*10.9 ↗
17:	9.4 ←
18:	*10.4 ↗
19:	*10.5 ↘
20:	9.4 ↗
Series	98.0
Total	195.0



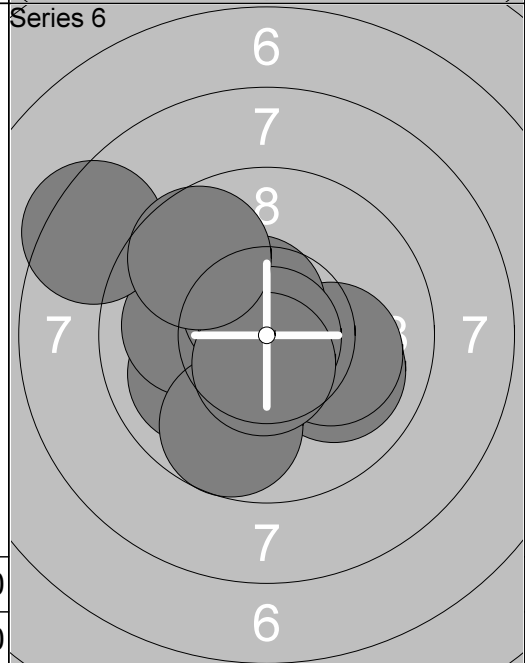
21:	*10.4 →
22:	9.9 ↑
23:	*10.4 →
24:	9.2 →
25:	10.0 →
26:	9.2 →
27:	*10.5 ↗
28:	*10.3 ↗
29:	8.9 →
30:	9.4 ↑
Series	94.0
Total	289.0



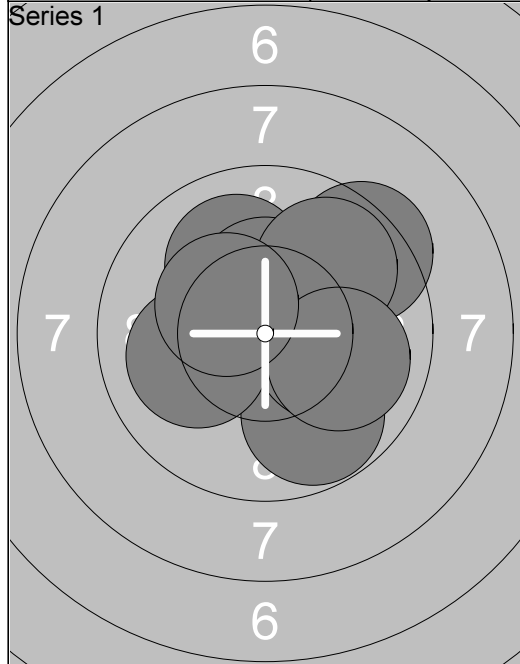
31:	*10.3 ↗
32:	*10.3 ↗
33:	10.0 ↓
34:	*10.5 ↗
35:	*10.6 ↗
36:	10.1 →
37:	*10.5 ↗
38:	9.6 →
39:	*10.3 ↗
40:	9.8 ←
Series	98.0
Total	387.0



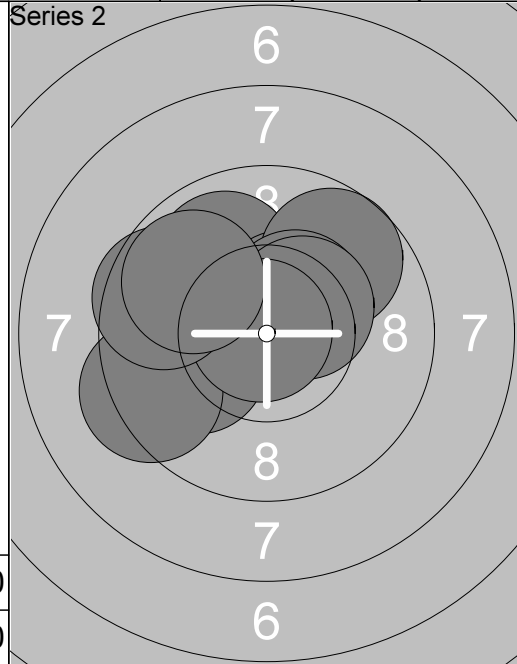
41:	10.1 ↘
42:	*10.5 ↑
43:	*10.3 ↘
44:	*10.6 →
45:	*10.3 ↘
46:	9.8 ←
47:	9.8 →
48:	9.7 ←
49:	*10.5 ↘
50:	8.8 ←
Series	95.0
Total	482.0



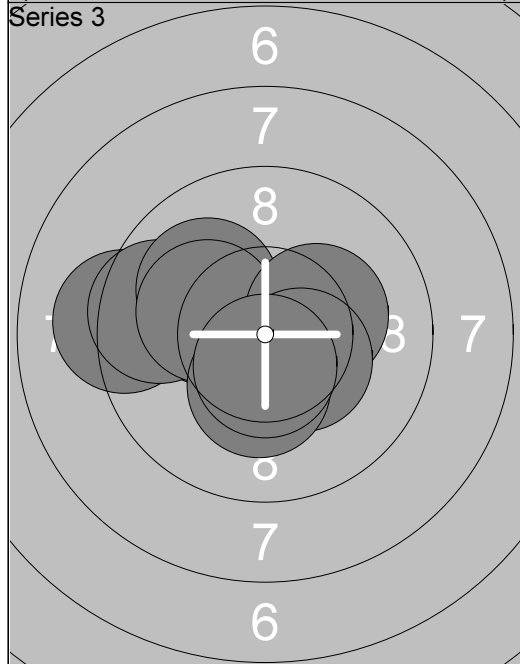
51:	10.0 ↘
52:	10.0 ←
53:	10.0 →
54:	10.1 →
55:	*10.5 ↗
56:	*10.9 ↘
57:	9.7 ↓
58:	*10.6 ↓
59:	8.4 ←
60:	9.7 ↗
Series	96.0
Total	578.0



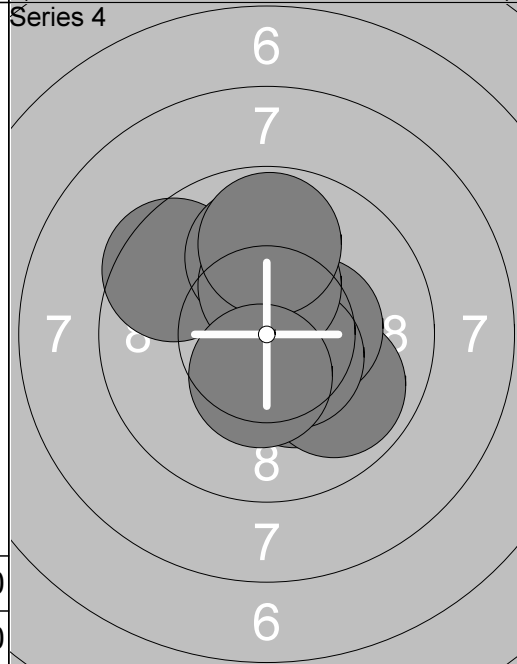
1: *10.5	↘
2: 9.8	↘
3: *10.2	↘
4: 9.4	↗
5: 10.0	↗
6: *10.4	↗
7: 10.1	↖
8: 9.8	↗
9: 10.0	→
10: *10.3	↖
Series	97.0
Total	97.0



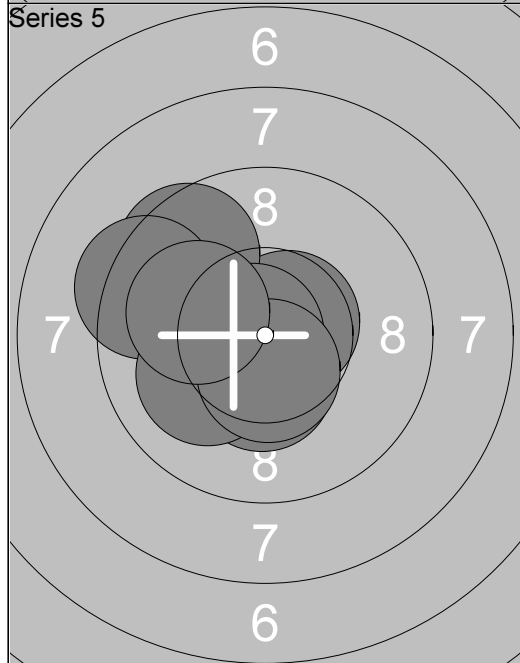
11: 9.9	↖
12: *10.5	↗
13: 10.0	↖
14: 9.7	↗
15: 9.3	↖
16: *10.4	↗
17: *10.4	↗
18: *10.9	↖
19: 9.6	↖
20: 9.8	↖
Series	95.0
Total	192.0



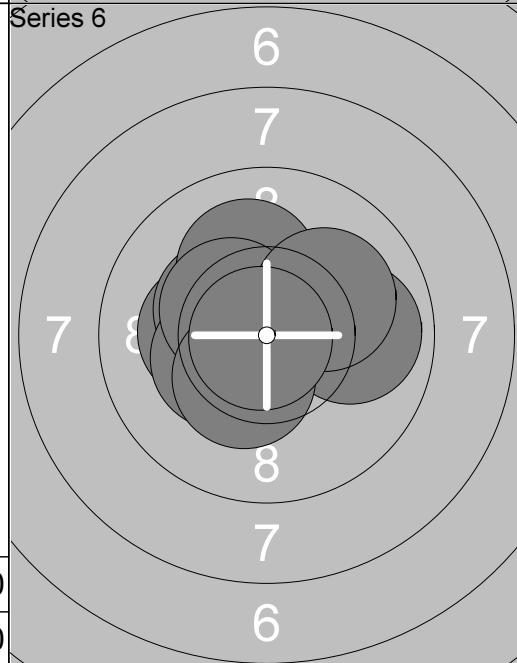
21: 9.2	↖
22: *10.5	↘
23: *10.3	↖
24: 9.6	↖
25: 10.0	↖
26: *10.2	↖
27: *10.3	↗
28: *10.4	↘
29: *10.3	↘
30: *10.6	↘
Series	98.0
Total	290.0



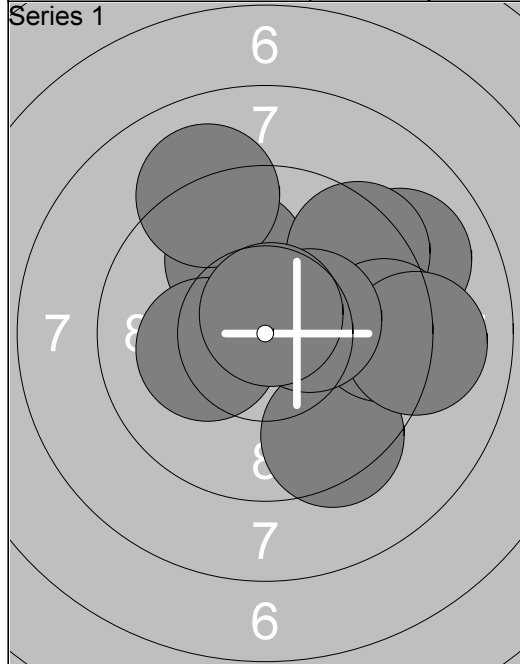
31: *10.7	↗
32: *10.3	↘
33: 9.5	↖
34: 9.9	↘
35: *10.4	→
36: 10.0	↗
37: *10.5	↘
38: *10.4	↗
39: 9.8	↗
40: *10.4	↘
Series	97.0
Total	387.0



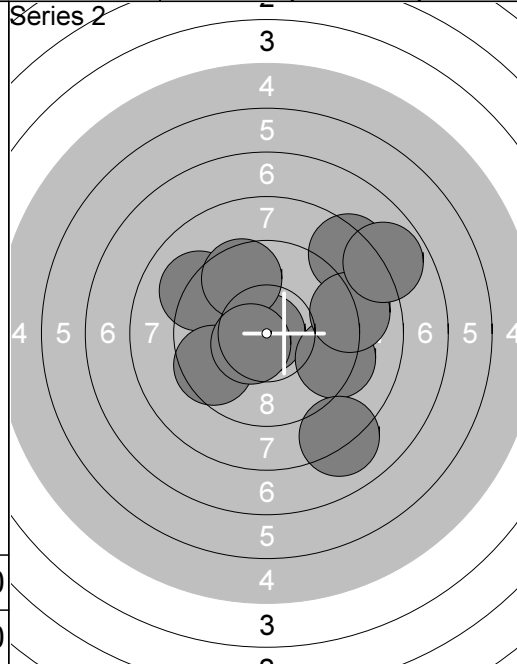
41: *10.8	→
42: *10.3	↖
43: *10.4	↘
44: *10.6	↗
45: 9.6	↖
46: 9.4	↖
47: *10.8	↖
48: 10.1	↖
49: *10.5	↘
50: 10.1	↖
Series	98.0
Total	485.0



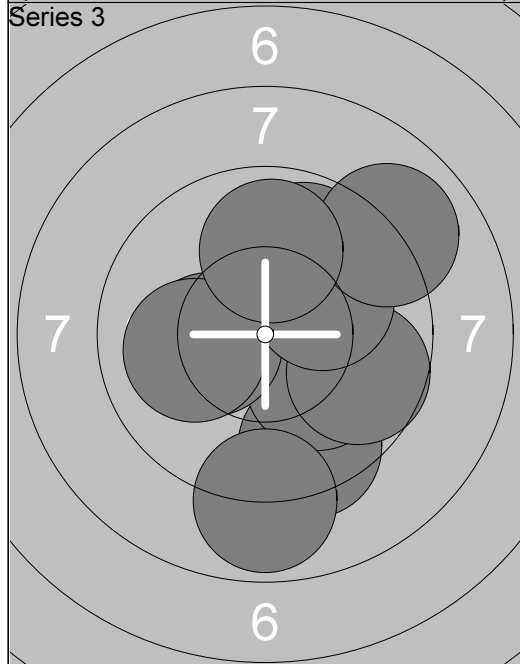
51: *10.2	↖
52: *10.4	↖
53: 10.1	↗
54: *10.7	↗
55: *10.3	↖
56: 9.9	→
57: *10.4	↖
58: *10.3	↘
59: 10.1	↗
60: *10.9	↖
Series	99.0
Total	584.0



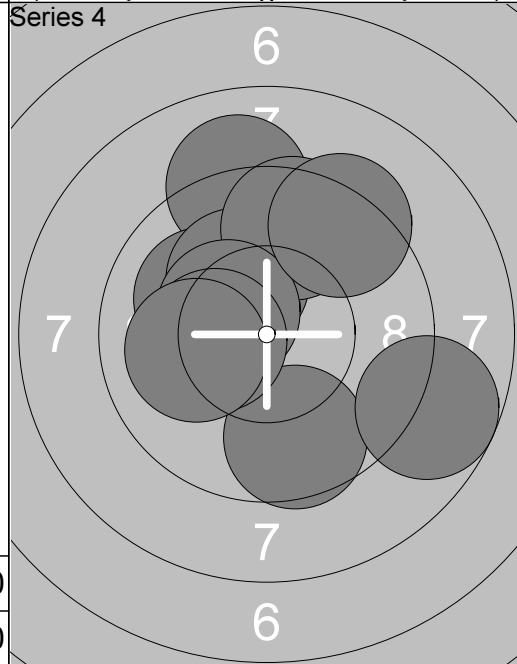
1:	9.4	↘
2:	9.0	↗
3:	10.0	↗
4:	9.4	↗
5:	9.5	→
6:	9.1	→
7:	*10.4	→
8:	9.1	↗
9:	*10.2	↘
10:	*10.7	↗
Series	94.0	
Total	94.0	



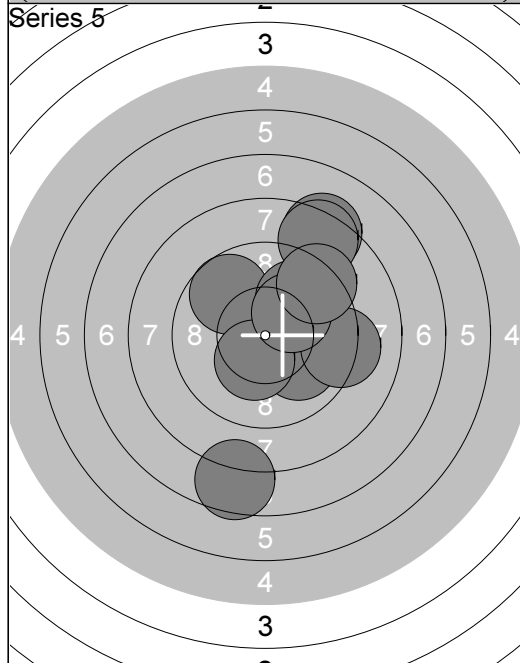
11:	*10.9	↘
12:	9.3	→
13:	9.1	↖
14:	9.6	↗
15:	9.5	↖
16:	8.1	↘
17:	*10.5	↘
18:	8.4	↗
19:	9.0	→
20:	7.8	↗
Series	88.0	
Total	182.0	



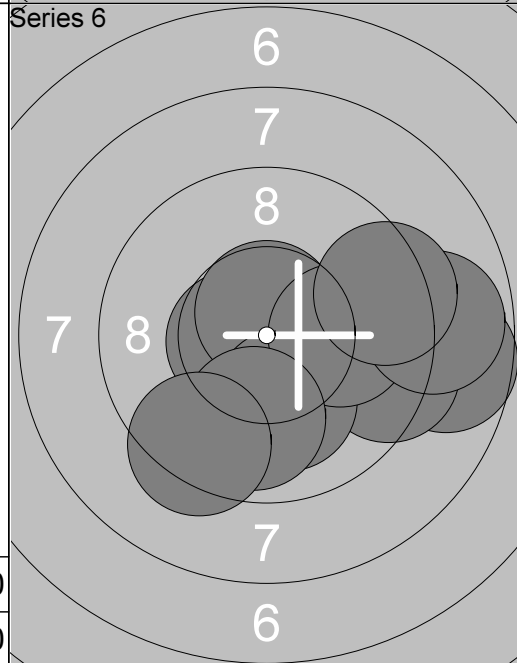
21:	9.4	↘
22:	10.1	↘
23:	9.7	→
24:	*10.2	↘
25:	8.9	↓
26:	9.9	↗
27:	10.1	↗
28:	10.0	←
29:	9.0	↗
30:	9.9	↗
Series	93.0	
Total	275.0	



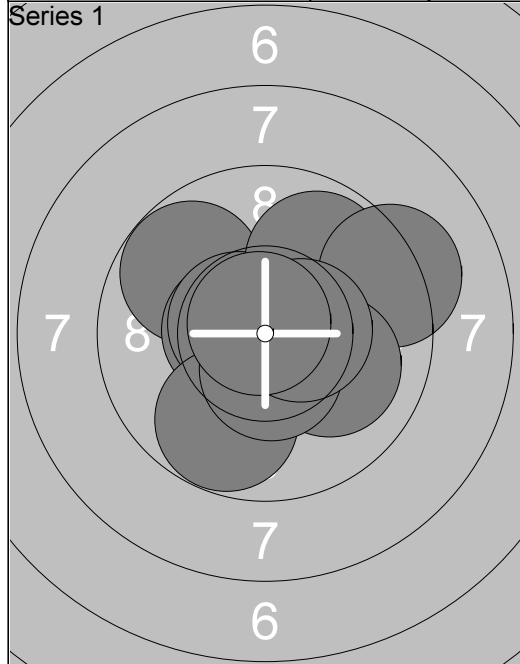
31:	9.1	↗
32:	9.6	↓
33:	8.7	→
34:	10.1	↖
35:	*10.2	↖
36:	9.6	↗
37:	*10.4	↖
38:	*10.3	↖
39:	10.1	←
40:	9.3	↗
Series	94.0	
Total	369.0	



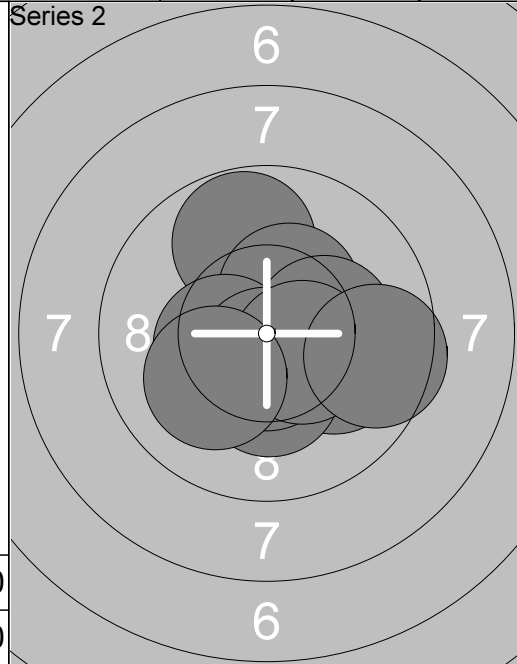
41:	8.3	↗
42:	10.0	↘
43:	9.2	→
44:	9.7	↖
45:	9.9	↗
46:	*10.3	↘
47:	10.1	↗
48:	7.6	↓
49:	8.5	↗
50:	9.3	↗
Series	89.0	
Total	458.0	



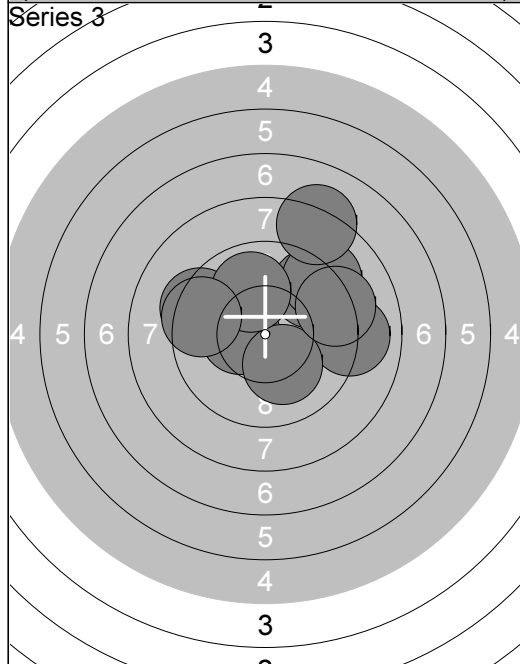
51:	8.7	→
52:	*10.6	↖
53:	*10.7	↗
54:	9.4	→
55:	10.1	↓
56:	10.0	→
57:	9.9	↓
58:	8.9	→
59:	9.4	↘
60:	9.4	→
Series	92.0	
Total	550.0	



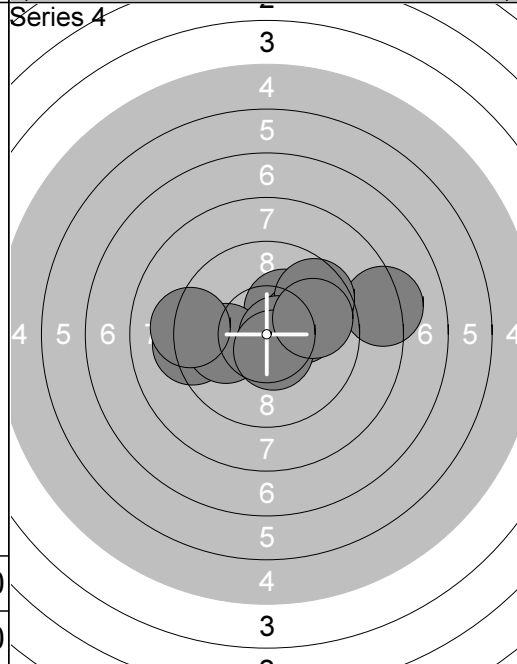
1: 9.7 ↖
2: *10.5 ↖
3: *10.6 ↖
4: 9.8 ↗
5: 9.8 ↓
6: 9.2 →
7: 10.0 →
8: *10.5 ↓
9: *10.5 →
10: *10.8 ↘
Series 96.0
Total 96.0



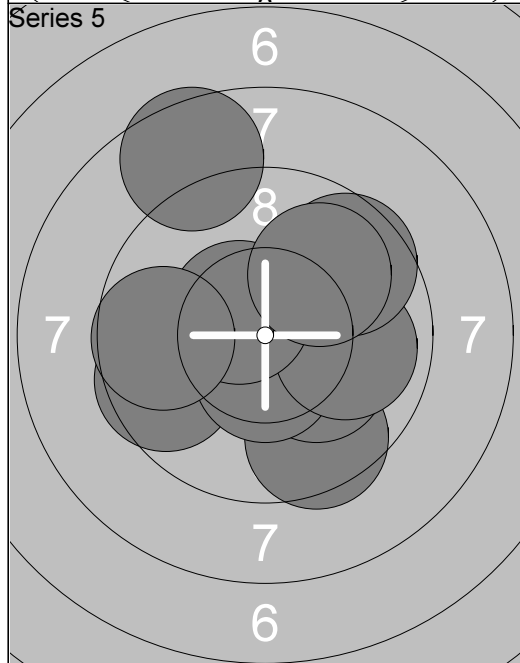
11: 10.0 →
12: 9.8 ↑
13: *10.4 ↗
14: *10.3 ↓
15: *10.2 →
16: *10.4 ↖
17: *10.6 ↓
18: *10.5 →
19: 10.1 ↖
20: 9.6 →
Series 98.0
Total 194.0



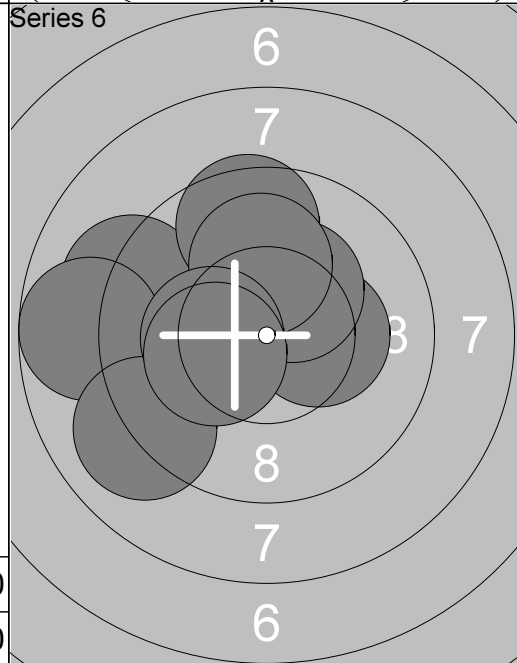
21: 9.5 ↗
22: *10.4 ↖
23: 9.0 →
24: 9.4 ↖
25: *10.2 ↓
26: 9.1 ↗
27: 9.2 →
28: 8.2 ↑
29: 9.9 ↑
30: 9.5 ↖
Series 91.0
Total 285.0



31: *10.2 ↗
32: 8.2 →
33: *10.2 →
34: 9.6 ↗
35: 9.3 ↖
36: 10.0 ↖
37: 9.2 ↖
38: *10.7 →
39: *10.5 ↓
40: 9.8 →
Series 94.0
Total 379.0

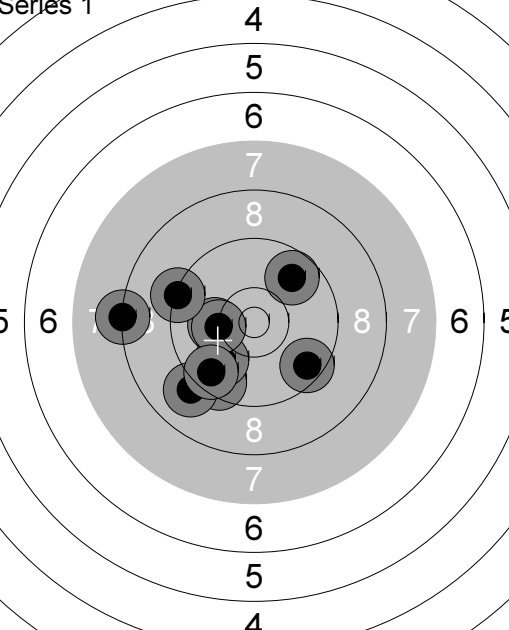
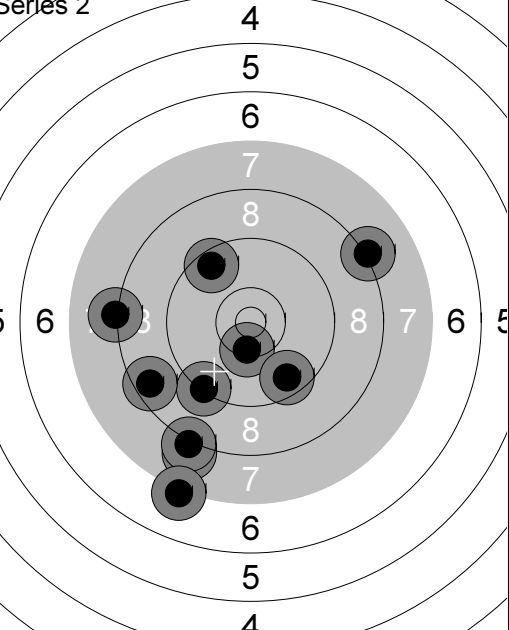


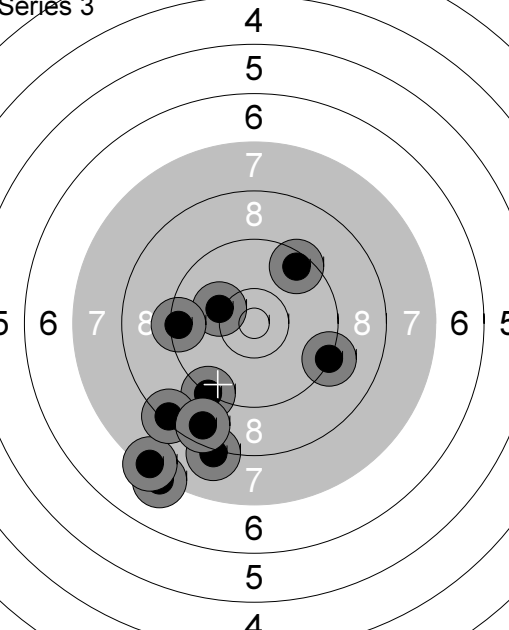
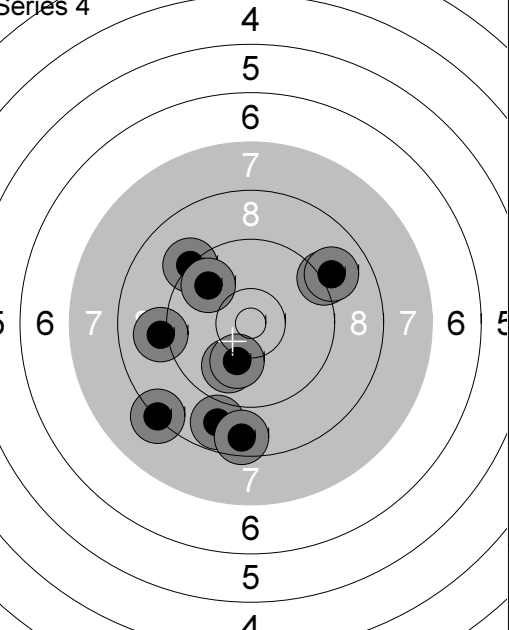
41: 9.5 ↓
42: *10.2 ↓
43: 9.6 ↖
44: *10.5 ↓
45: 9.9 →
46: *10.5 ↖
47: 9.6 ↗
48: 8.6 ↑
49: 9.9 ↗
50: 9.7 ↖
Series 92.0
Total 471.0

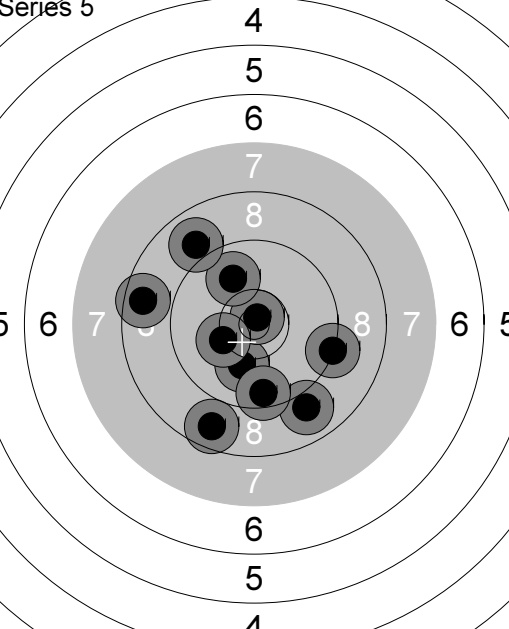
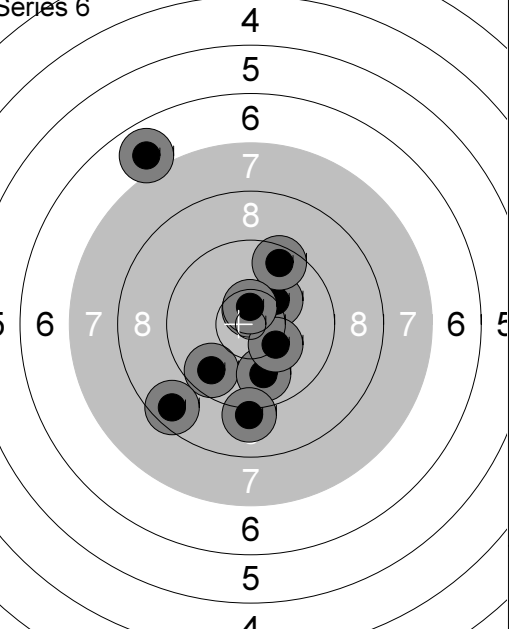


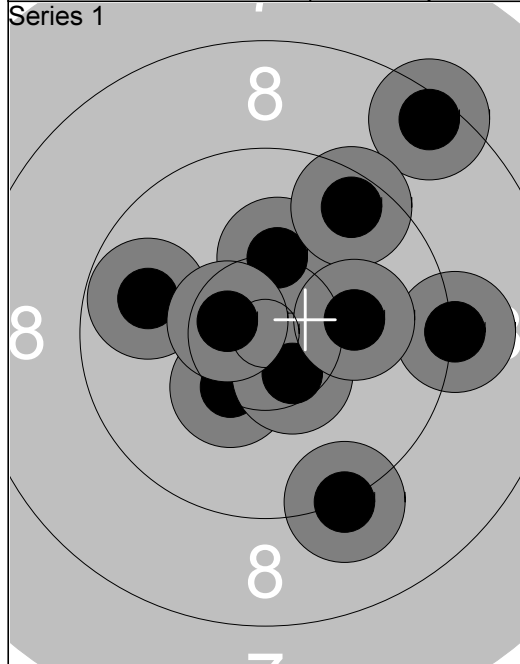
51: *10.3 ↖
52: 9.2 ↖
53: 9.6 ↑
54: 8.7 ↖
55: 9.0 ↖
56: *10.3 →
57: *10.3 ↗
58: 10.0 ↑
59: *10.3 ↖
60: *10.3 ↖
Series 95.0
Total 566.0



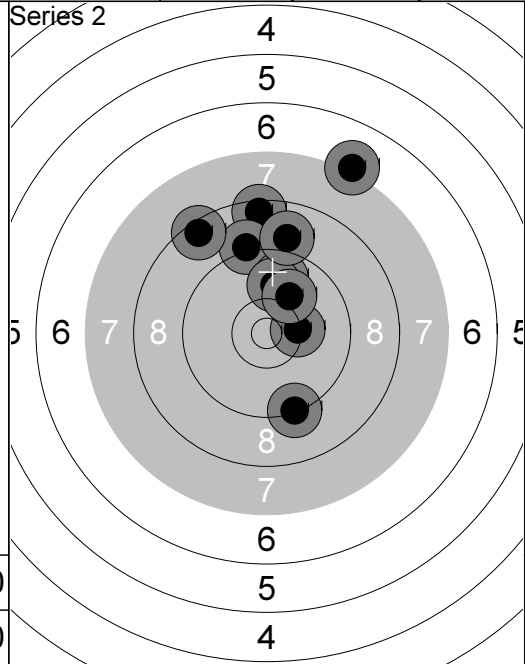
<p><b>Series 1</b></p> 	<p>1: 10.1 ←</p> <p>2: 8.2 ←</p> <p>3: 9.5 ↓</p> <p>4: 9.8 ↗</p> <p>5: 9.5 ↘</p> <p>6: 9.9 ↓</p> <p>7: 9.1 ↓</p> <p>8: 10.2 ←</p> <p>9: 9.6 ↓</p> <p>10: 9.3 ←</p> <p><b>Series 91.0</b></p> <p><b>Total 91.0</b></p>	<p><b>Series 2</b></p> 	<p>11: 9.5 ↖</p> <p>12: *10.4 ↓</p> <p>13: 8.0 ↓</p> <p>14: 8.2 ↗</p> <p>15: 8.1 ↓</p> <p>16: 9.3 ↓</p> <p>17: 7.2 ↓</p> <p>18: 8.5 ←</p> <p>19: 8.2 ←</p> <p>20: 9.6 ↘</p> <p><b>Series 84.0</b></p> <p><b>Total 175.0</b></p>
---------------------------------------------------------------------------------------------------------	-----------------------------------------------------------------------------------------------------------------------------------------------------------------------------------------------------------------------	-----------------------------------------------------------------------------------------------------------	---------------------------------------------------------------------------------------------------------------------------------------------------------------------------------------------------------------------------------

<p><b>Series 3</b></p> 	<p>21: 10.2 ←</p> <p>22: 9.2 →</p> <p>23: 7.2 ↓</p> <p>24: 9.4 ←</p> <p>25: 7.4 ↓</p> <p>26: 8.2 ↓</p> <p>27: 9.2 ↓</p> <p>28: 9.5 ↗</p> <p>29: 8.4 ↓</p> <p>30: 8.6 ↓</p> <p><b>Series 84.0</b></p> <p><b>Total 259.0</b></p>	<p><b>Series 4</b></p> 	<p>31: 9.2 ↖</p> <p>32: 9.1 ←</p> <p>33: 8.8 ↓</p> <p>34: 8.3 ↓</p> <p>35: 8.6 ↓</p> <p>36: 10.0 ↓</p> <p>37: 9.8 ↖</p> <p>38: 10.1 ↓</p> <p>39: 9.2 ↗</p> <p>40: 9.0 ↗</p> <p><b>Series 89.0</b></p> <p><b>Total 348.0</b></p>
----------------------------------------------------------------------------------------------------------	--------------------------------------------------------------------------------------------------------------------------------------------------------------------------------------------------------------------------------	------------------------------------------------------------------------------------------------------------	---------------------------------------------------------------------------------------------------------------------------------------------------------------------------------------------------------------------------------

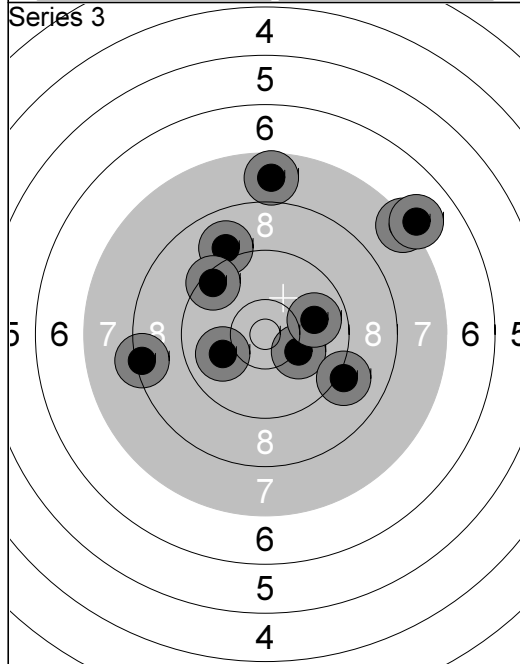
<p><b>Series 5</b></p> 	<p>41: 9.2 →</p> <p>42: 8.6 ←</p> <p>43: 10.1 ↓</p> <p>44: *10.8 ↗</p> <p>45: 9.9 ↗</p> <p>46: 8.9 ↓</p> <p>47: 8.7 ↓</p> <p>48: 10.2 ←</p> <p>49: 8.9 ↖</p> <p>50: 9.5 ↓</p> <p><b>Series 89.0</b></p> <p><b>Total 437.0</b></p>	<p><b>Series 6</b></p> 	<p>51: 9.7 ↓</p> <p>52: 10.3 ↗</p> <p>53: *10.6 ↗</p> <p>54: 8.6 ↓</p> <p>55: 6.9 ↖</p> <p>56: 9.6 ↗</p> <p>57: 9.9 ↓</p> <p>58: 9.1 ↓</p> <p>59: 10.3 ↘</p> <p>60: *10.6 ↗</p> <p><b>Series 90.0</b></p> <p><b>Total 527.0</b></p>
-----------------------------------------------------------------------------------------------------------	-----------------------------------------------------------------------------------------------------------------------------------------------------------------------------------------------------------------------------------	-------------------------------------------------------------------------------------------------------------	-------------------------------------------------------------------------------------------------------------------------------------------------------------------------------------------------------------------------------------



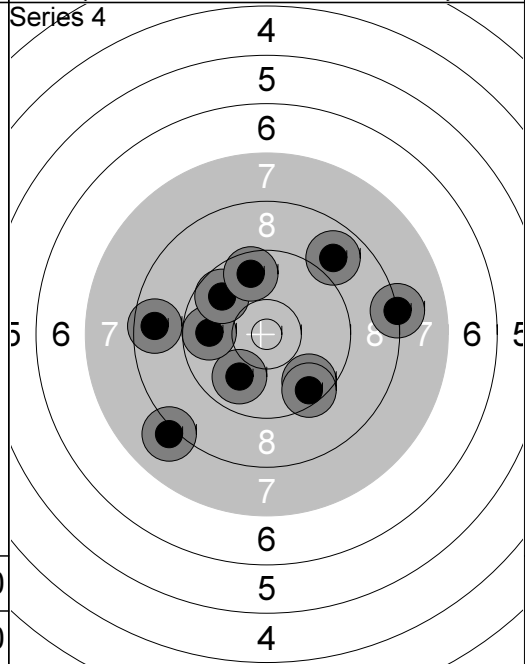
1:	9.2	→
2:	8.4	↗
3:	10.2	↑
4:	10.3	↙
5:	*10.5	↘
6:	9.5	↗
7:	9.8	←
8:	10.1	→
9:	9.2	↘
10:	*10.6	↖
Series	94.0	
Total	94.0	



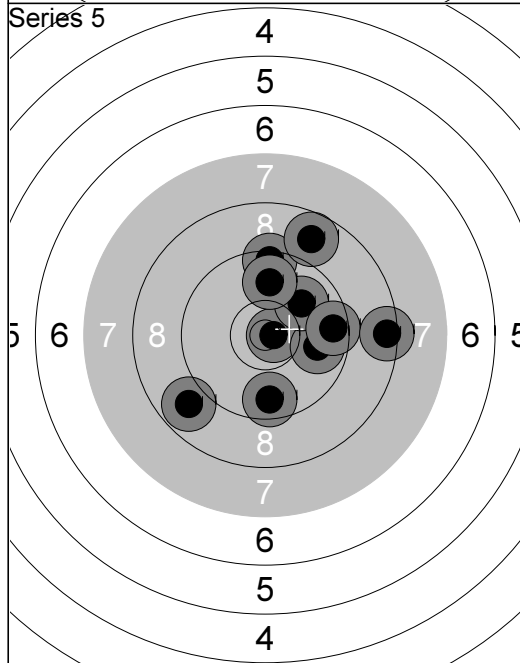
11:	8.5	↑
12:	7.1	↗
13:	10.3	→
14:	9.1	↑
15:	9.8	↑
16:	9.3	↘
17:	9.9	↑
18:	8.5	↖
19:	9.0	↑
20:	10.1	↗
Series	88.0	
Total	182.0	



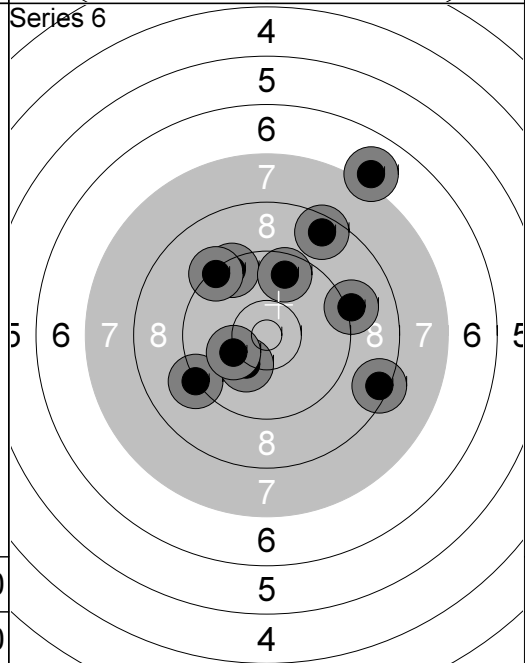
21:	9.0	↖
22:	8.4	←
23:	10.2	→
24:	9.5	↖
25:	7.3	↗
26:	7.7	↑
27:	9.1	→
28:	9.9	→
29:	10.0	↖
30:	7.1	↗
Series	85.0	
Total	267.0	



31:	8.9	↗
32:	9.9	↙
33:	8.7	←
34:	9.7	↘
35:	9.5	↘
36:	9.8	←
37:	8.2	→
38:	8.1	↙
39:	9.7	↖
40:	9.7	↑
Series	86.0	
Total	353.0	



41:	*10.8	→
42:	8.8	↙
43:	9.4	↑
44:	9.9	→
45:	9.6	↘
46:	10.0	↗
47:	9.5	→
48:	8.8	↗
49:	9.9	↑
50:	8.4	→
Series	89.0	
Total	442.0	



51:	9.4	↖
52:	9.2	↙
53:	9.3	↖
54:	8.6	↗
55:	9.1	→
56:	8.4	→
57:	10.2	↙
58:	9.7	↑
59:	7.0	↗
60:	10.2	↙
Series	88.0	
Total	530.0	

<p>Series 1</p>	<p>1: 9.2 ↓ 2: 10.3 ↓ 3: 10.2 ↓ 4: 9.0 ← 5: 6.6 ↓ 6: 9.6 ↓ 7: 9.1 ← 8: 9.2 → 9: 8.6 ↑ 10: *10.5 ↑</p> <p>Series 89.0 Total 89.0</p>	<p>Series 2</p>	<p>11: 8.3 ↗ 12: 9.3 ↑ 13: 8.2 ↑ 14: 9.5 ↗ 15: 9.1 → 16: 9.0 ← 17: 6.5 ↓ 18: 9.5 ↖ 19: 9.1 ↓ 20: 9.6 ↓</p> <p>Series 85.0 Total 174.0</p>
-----------------	-----------------------------------------------------------------------------------------------------------------------------------------------------------------------------	-----------------	-----------------------------------------------------------------------------------------------------------------------------------------------------------------------------------

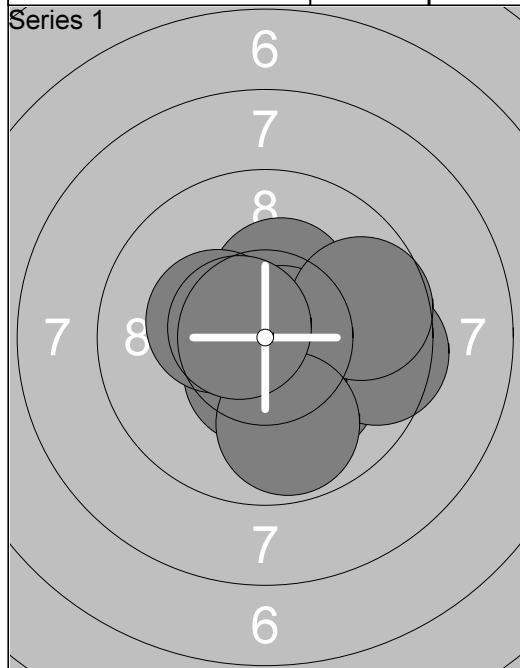
<p>Series 3</p>	<p>21: 9.6 ← 22: 9.3 ↗ 23: 9.4 ↑ 24: 9.0 → 25: 9.5 ← 26: 7.5 ↓ 27: 5.3 ↓ 28: 8.9 ↓ 29: 8.9 ↓ 30: 7.9 ↓</p> <p>Series 80.0 Total 254.0</p>	<p>Series 4</p>	<p>31: 9.7 ↘ 32: 10.3 ↓ 33: 10.0 ↓ 34: 8.7 ↖ 35: 7.0 ← 36: 9.3 ↓ 37: 9.9 → 38: 9.5 ↗ 39: 9.7 ↓ 40: 8.4 ↘</p> <p>Series 88.0 Total 342.0</p>
-----------------	-----------------------------------------------------------------------------------------------------------------------------------------------------------------------------------	-----------------	-------------------------------------------------------------------------------------------------------------------------------------------------------------------------------------

<p>Series 5</p>	<p>41: 8.7 ↑ 42: 9.8 ← 43: 8.8 → 44: 9.7 ↖ 45: 10.0 ↖ 46: 7.4 ↓ 47: 9.5 ↓ 48: 9.0 ↗ 49: 10.3 → 50: 9.9 ←</p> <p>Series 88.0 Total 430.0</p>	<p>Series 6</p>	<p>51: *10.4 ↖ 52: 8.1 ↗ 53: 7.7 ↖ 54: 5.6 ↖ 55: 9.2 → 56: 6.6 ↓ 57: 10.2 ← 58: 8.4 ↖ 59: 8.7 ↘ 60: 9.6 ↖</p> <p>Series 80.0 Total 510.0</p>
-----------------	-------------------------------------------------------------------------------------------------------------------------------------------------------------------------------------	-----------------	--------------------------------------------------------------------------------------------------------------------------------------------------------------------------------------

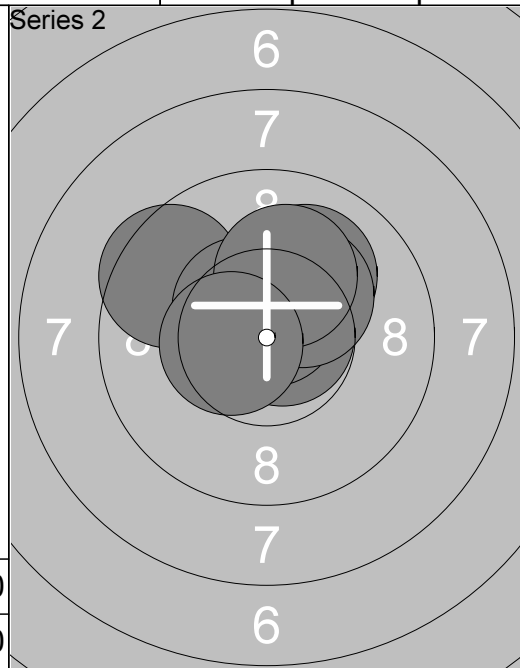
Relay <b>4</b>	Lane <b>20</b>	<b>Nina Berg</b>		
-------------------	-------------------	------------------	--	--

Air	NoSA	SH2	R
-----	------	-----	---

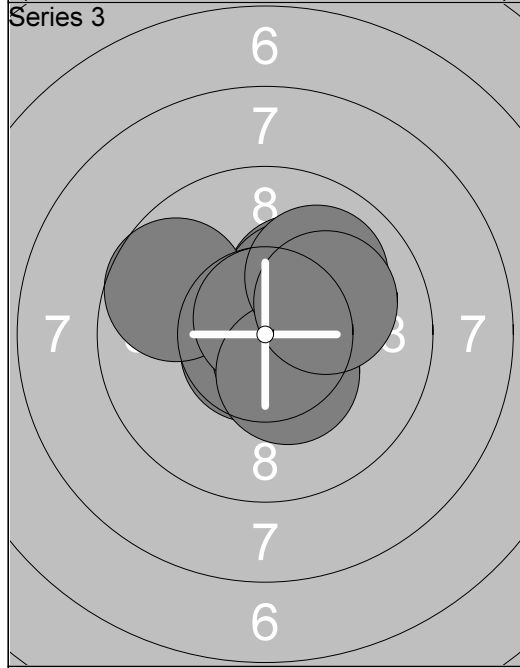
09.-10.03.2013	Kevätkilpailu	Kankaanpään Ampumaurheilijat	
----------------	---------------	------------------------------	--



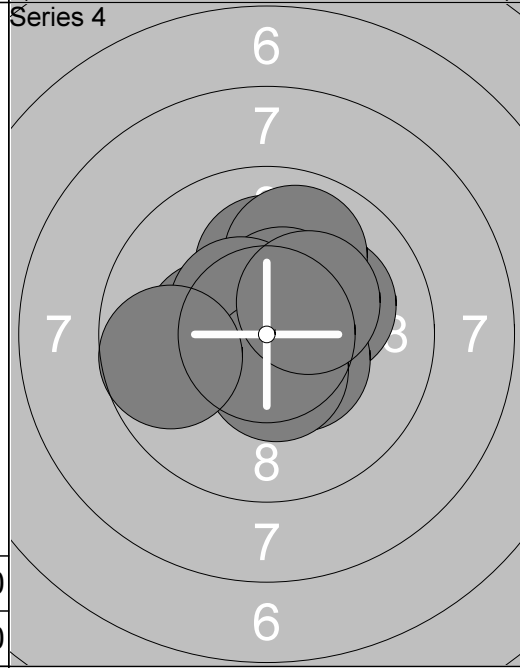
1: *10.2
2: 9.5
3: *10.3
4: *10.5
5: *10.3
6: *10.8
7: 9.7
8: 9.9
9: *10.3
10: *10.6
Series 97.0
Total 97.0



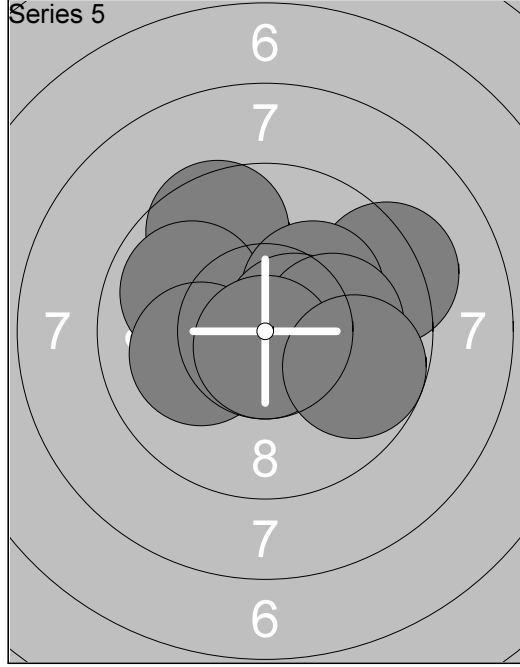
11: *10.8
12: 9.5
13: *10.5
14: *10.7
15: *10.2
16: 10.1
17: *10.5
18: *10.3
19: *10.2
20: *10.5
Series 99.0
Total 196.0



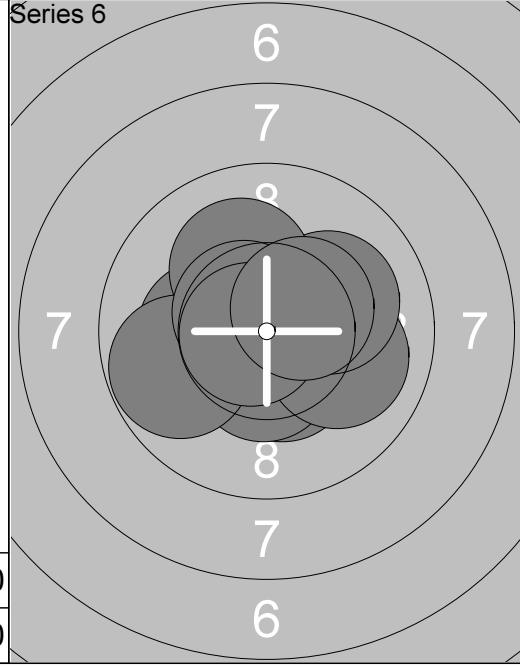
21: *10.7
22: *10.2
23: *10.3
24: *10.6
25: *10.8
26: 9.7
27: *10.7
28: *10.4
29: 10.0
30: 10.1
Series 99.0
Total 295.0



31: 10.1
32: 10.1
33: 9.9
34: *10.5
35: *10.3
36: *10.5
37: *10.5
38: *10.5
39: *10.3
40: 9.7
Series 98.0
Total 393.0



41: 9.6
42: 10.1
43: 9.9
44: 9.3
45: *10.2
46: *10.6
47: 10.1
48: 10.1
49: *10.8
50: 9.8
Series 96.0
Total 489.0



51: *10.4
52: *10.5
53: 10.0
54: 10.1
55: *10.2
56: 10.1
57: 9.8
58: *10.6
59: *10.7
60: *10.4
Series 99.0
Total 588.0