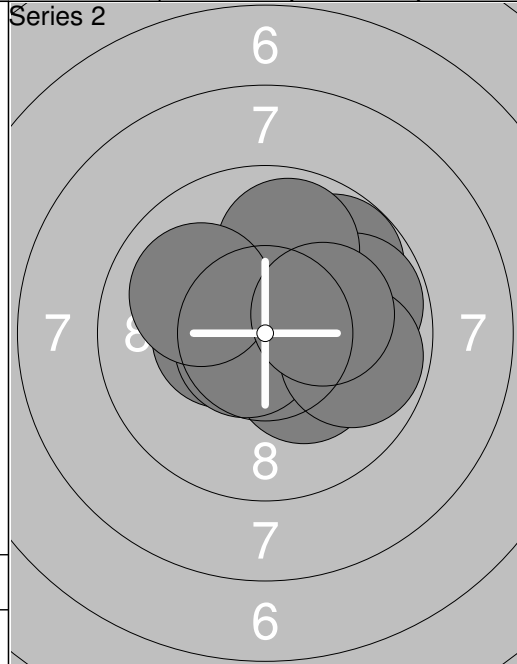
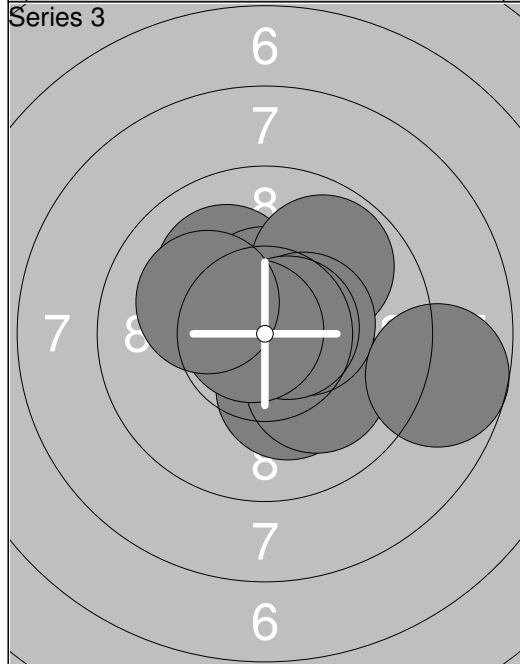


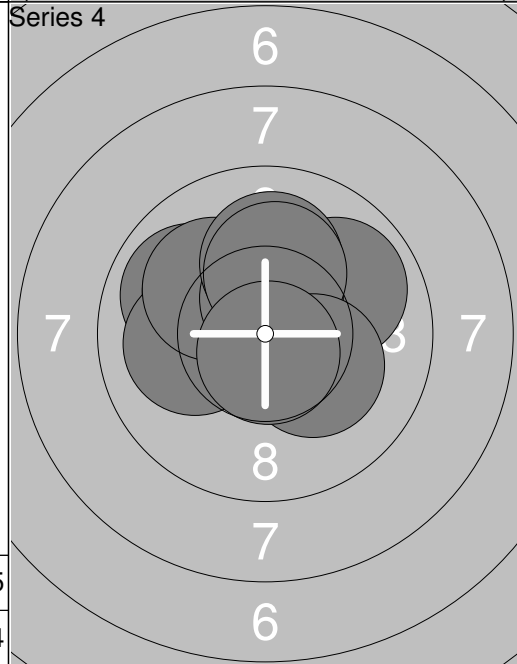
1:	10.0 ↘
2:	10.4x ↘
3:	10.4x ←
4:	10.7x ↘
5:	10.6x ↑
6:	10.6x ←
7:	10.0 ↗
8:	10.7x ↘
9:	10.0 ↖
10:	10.7x ↖
<b>Series</b>	<b>104.1</b>
<b>Total</b>	<b>104.1</b>



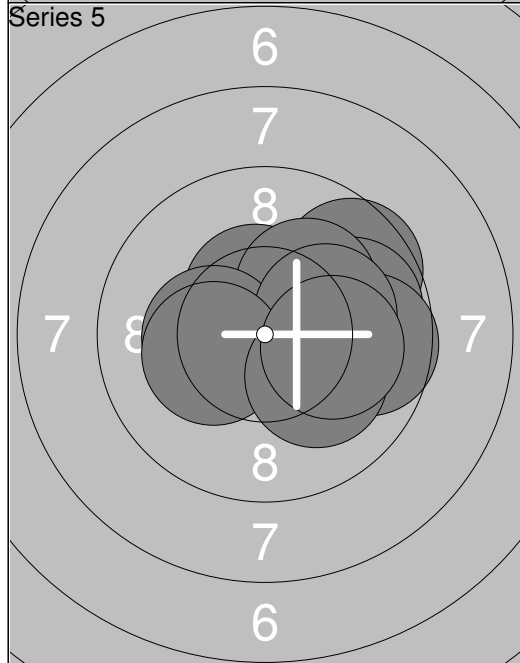
11:	10.4x ←
12:	9.8 ↗
13:	10.3x ↘
14:	10.0 →
15:	10.6x ←
16:	9.8 →
17:	9.9 ↑
18:	9.8 →
19:	10.0 ↖
20:	10.2x →
<b>Series</b>	<b>100.8</b>
<b>Total</b>	<b>204.9</b>



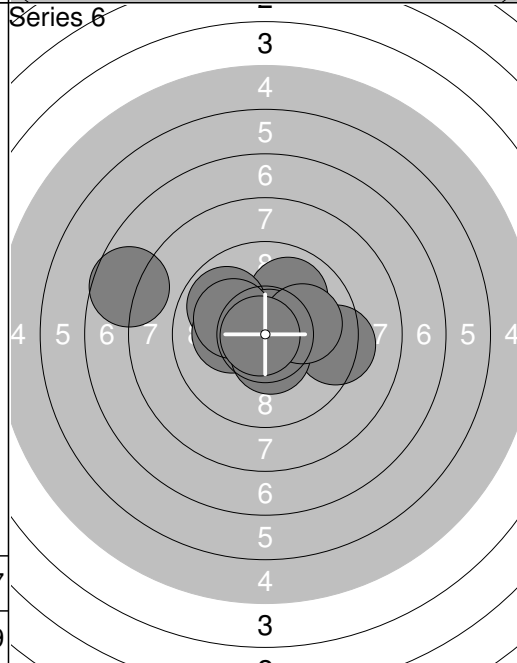
21:	10.1 ↖
22:	10.5x ↑
23:	10.2x ↘
24:	9.8 ↗
25:	10.1 ↘
26:	10.5x →
27:	8.7 →
28:	10.7x →
29:	10.8x ←
30:	10.1 ↖
<b>Series</b>	<b>101.5</b>
<b>Total</b>	<b>306.4</b>



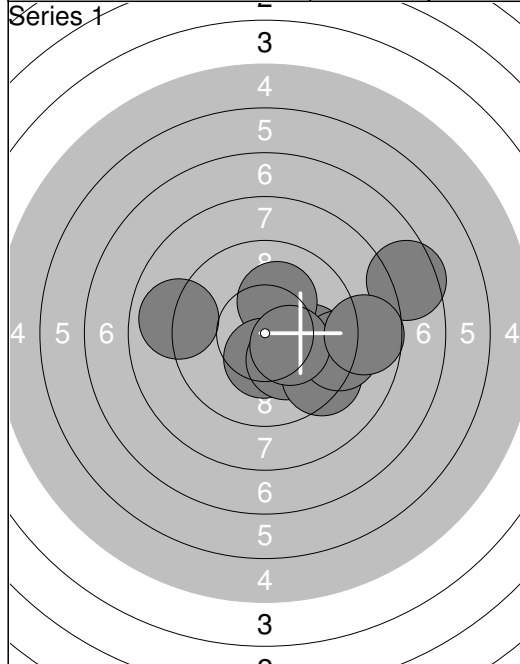
31:	9.9 ↖
32:	9.9 ↗
33:	10.1 ↖
34:	10.1 ←
35:	10.1 ↖
36:	10.5x ↑
37:	10.1 ↑
38:	10.2x ↑
39:	10.2x ↘
40:	10.7x ↘
<b>Series</b>	<b>101.8</b>
<b>Total</b>	<b>408.2</b>



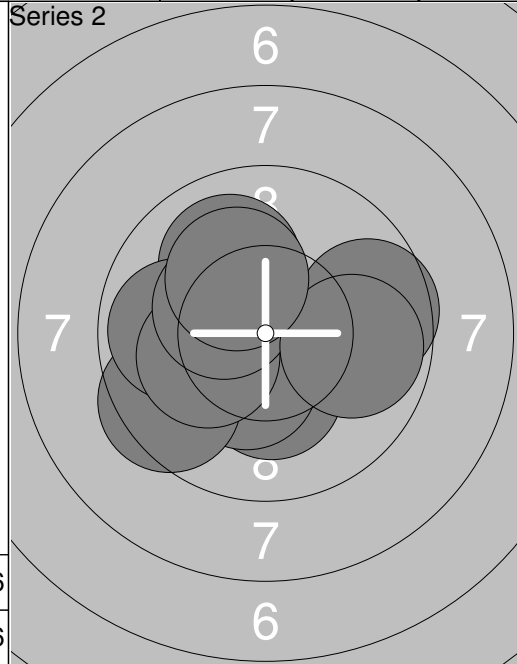
41:	10.4x ↑
42:	9.6 ↗
43:	9.8 →
44:	10.2x ↗
45:	9.7 →
46:	10.3x ←
47:	10.2x →
48:	10.3x ←
49:	10.1 ↘
50:	10.1 →
<b>Series</b>	<b>100.7</b>
<b>Total</b>	<b>508.9</b>



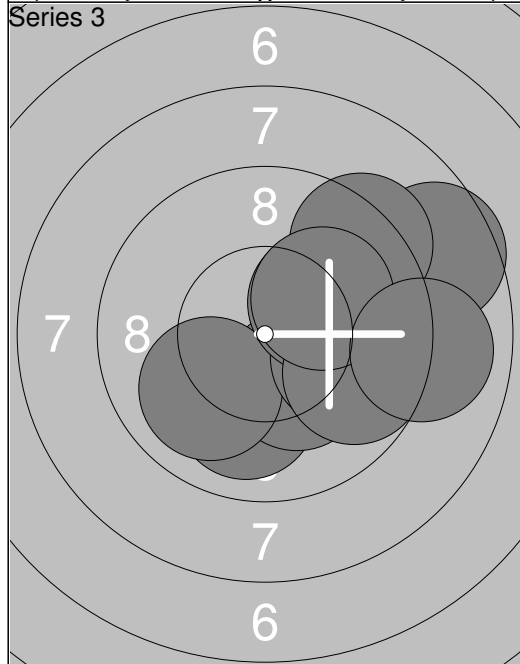
51:	9.3 →
52:	10.0 ↗
53:	9.9 ↖
54:	10.8x ↗
55:	10.2x ←
56:	10.5x ↘
57:	7.7 ←
58:	10.1 →
59:	10.1 ↖
60:	10.8x ←
<b>Series</b>	<b>99.4</b>
<b>Total</b>	<b>608.3</b>



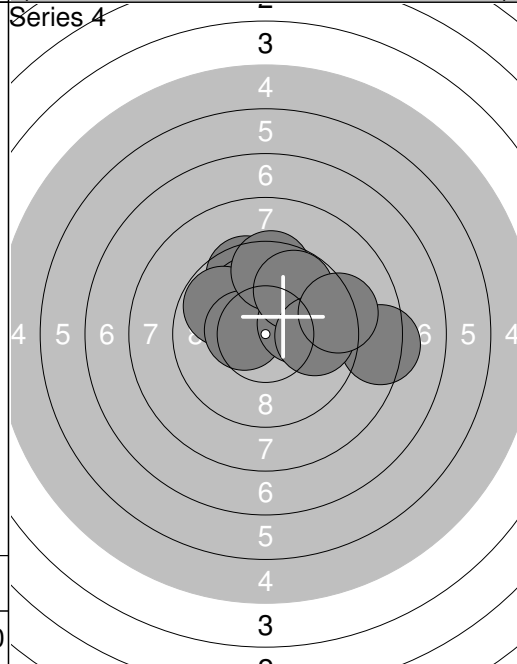
1: 8.9	←
2: 9.9	→
3: 7.5	→
4: 10.2x	↗
5: 10.4x	↓
6: 10.2x	↘
7: 9.3	↘
8: 9.2	→
9: 10.3x	↘
10: 8.7	→
<b>Series</b>	<b>94.6</b>
<b>Total</b>	<b>94.6</b>



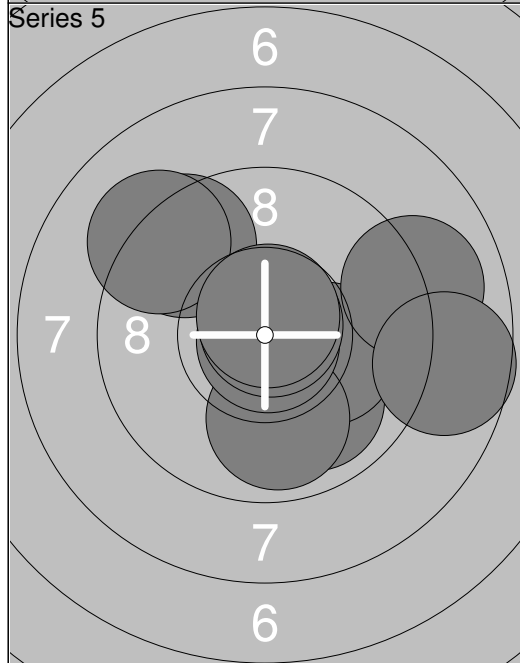
11: 10.3x	↓
12: 9.6	→
13: 10.4x	↘
14: 9.5	↙
15: 10.0	↖
16: 9.9	←
17: 10.2x	↙
18: 10.3x	↖
19: 9.9	→
20: 10.2x	↗
<b>Series</b>	<b>100.3</b>
<b>Total</b>	<b>194.9</b>



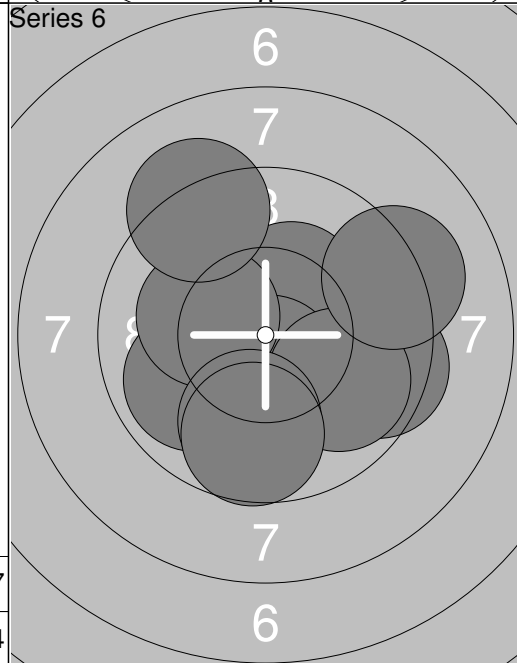
21: 10.0	↓
22: 10.3x	↘
23: 10.0	↙
24: 8.6	→
25: 9.9	→
26: 10.2x	↗
27: 9.3	↗
28: 9.7	→
29: 10.1	↗
30: 9.0	→
<b>Series</b>	<b>97.1</b>
<b>Total</b>	<b>292.0</b>



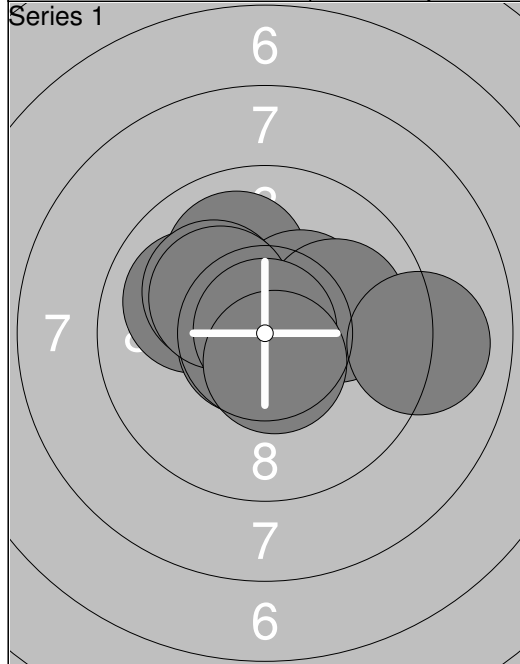
31: 9.6	↖
32: 10.0	↖
33: 9.8	↖
34: 10.4x	↙
35: 9.5	↑
36: 10.2x	→
37: 9.8	↗
38: 8.4	→
39: 9.8	→
40: 9.2	→
<b>Series</b>	<b>96.7</b>
<b>Total</b>	<b>388.7</b>



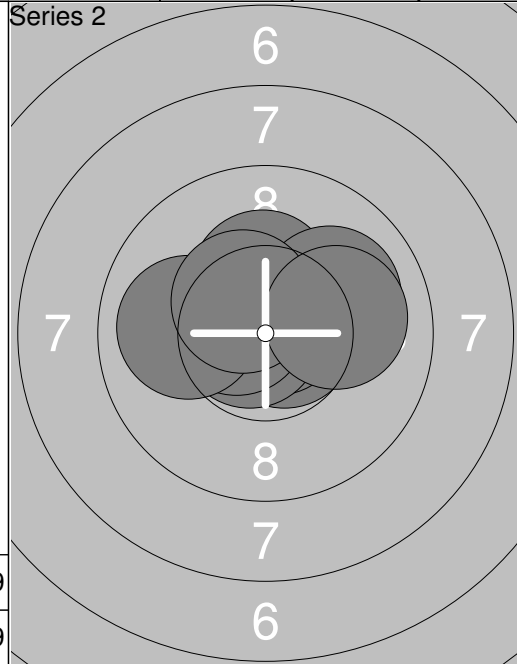
41: 9.9	↘
42: 10.2x	→
43: 9.0	→
44: 9.9	↓
45: 9.4	↗
46: 10.9x	↘
47: 9.2	↗
48: 8.7	→
49: 10.8x	↗
50: 10.7x	↗
<b>Series</b>	<b>98.7</b>
<b>Total</b>	<b>487.4</b>



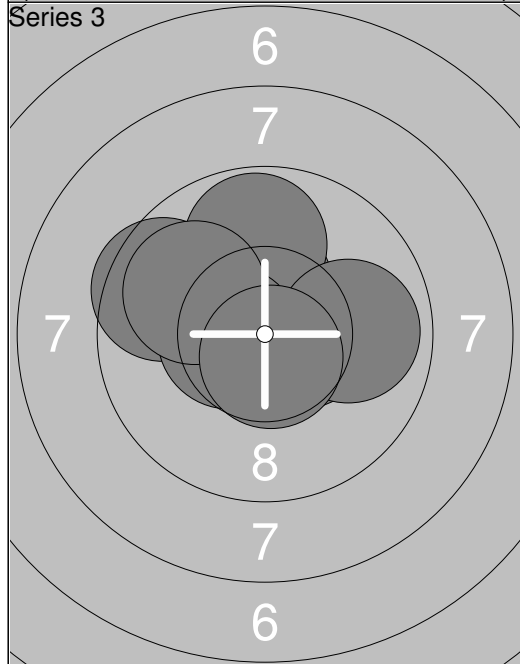
51: 10.4x	↗
52: 9.9	↙
53: 9.5	→
54: 10.5x	↘
55: 10.2x	↙
56: 9.9	→
57: 9.2	↗
58: 9.9	↓
59: 9.2	↖
60: 9.7	↓
<b>Series</b>	<b>98.4</b>
<b>Total</b>	<b>585.8</b>



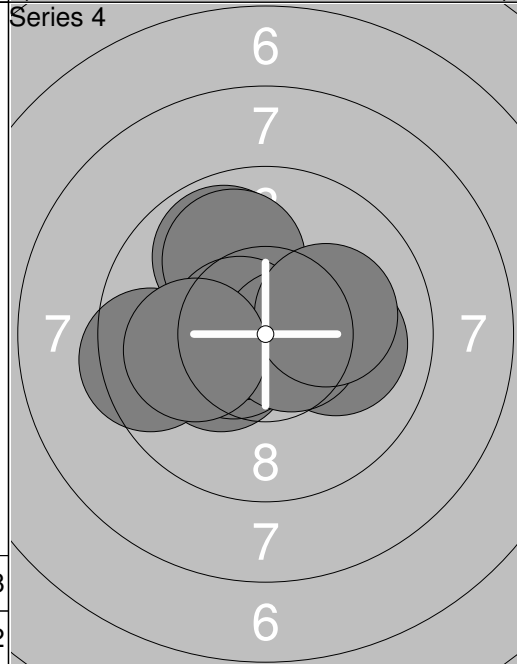
1:	10.0	↗
2:	10.0	↖
3:	10.7x	↙
4:	10.4x	↗
5:	10.1	↖
6:	10.0	→
7:	10.2x	↖
8:	10.9x	↑
9:	9.0	→
10:	10.6x	↓
<b>Series</b>		<b>101.9</b>
<b>Total</b>		<b>101.9</b>



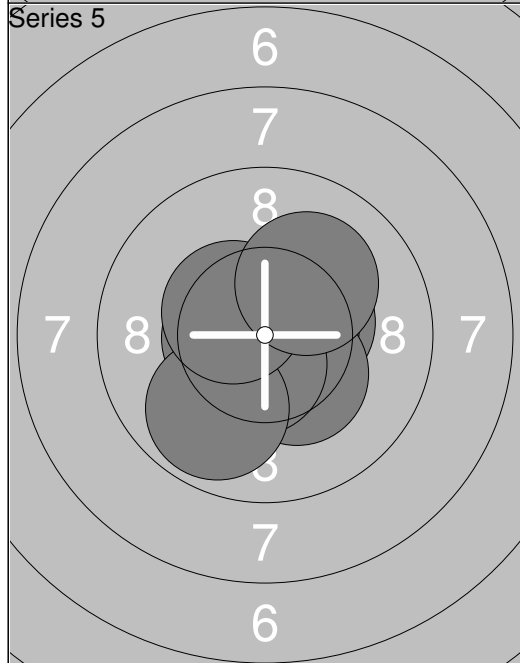
11:	10.6x	↑
12:	10.7x	→
13:	10.8x	↗
14:	10.8x	↖
15:	10.3x	↑
16:	10.6x	↖
17:	10.1	↗
18:	10.0	↖
19:	10.5x	↖
20:	10.1	→
<b>Series</b>		<b>104.5</b>
<b>Total</b>		<b>206.4</b>



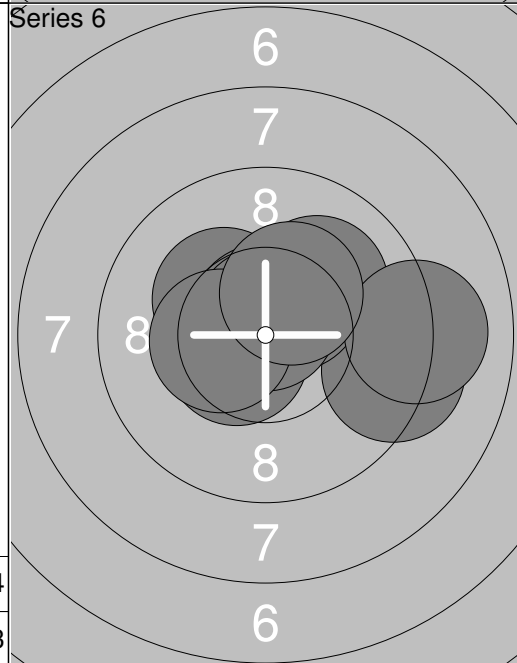
21:	9.6	↖
22:	10.8x	↓
23:	10.4x	↑
24:	10.5x	→
25:	10.7x	↖
26:	9.8	↑
27:	9.9	→
28:	10.5x	↖
29:	9.9	↖
30:	10.7x	↓
<b>Series</b>		<b>102.8</b>
<b>Total</b>		<b>309.2</b>



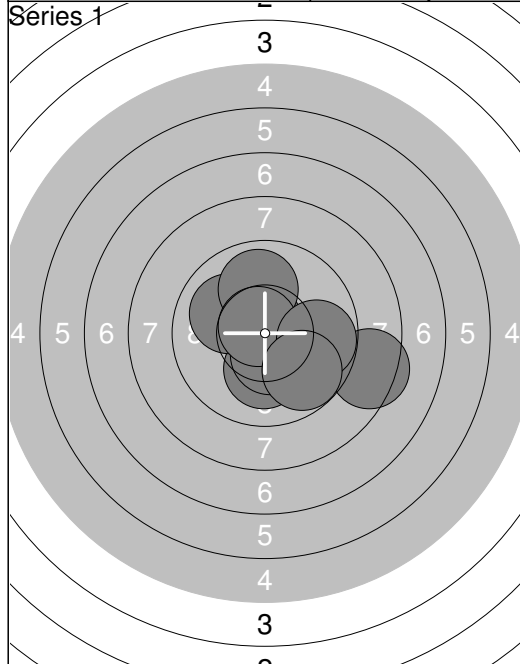
31:	9.9	↖
32:	10.0	↖
33:	10.3x	↖
34:	10.5x	↖
35:	10.6x	↖
36:	10.1	→
37:	10.6x	→
38:	10.1	→
39:	9.5	↖
40:	10.1	↖
<b>Series</b>		<b>101.7</b>
<b>Total</b>		<b>410.9</b>



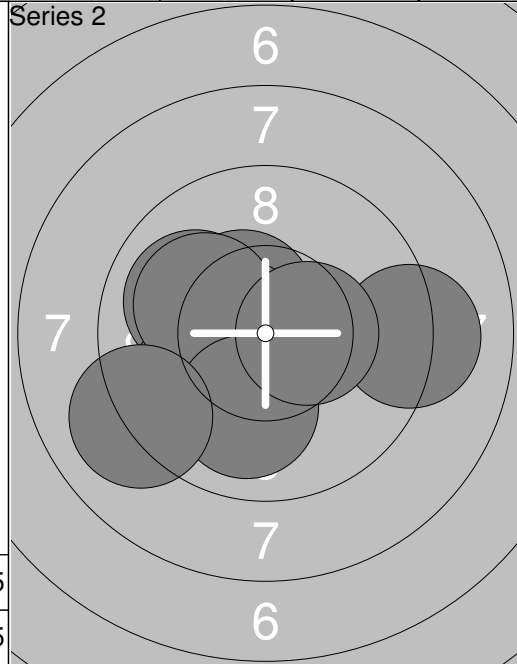
41:	10.5x	→
42:	10.6x	↖
43:	10.6x	↖
44:	10.7x	↗
45:	10.3x	↓
46:	10.6x	↖
47:	10.6x	↓
48:	9.9	↙
49:	10.5x	↖
50:	10.1	↗
<b>Series</b>		<b>104.4</b>
<b>Total</b>		<b>515.3</b>



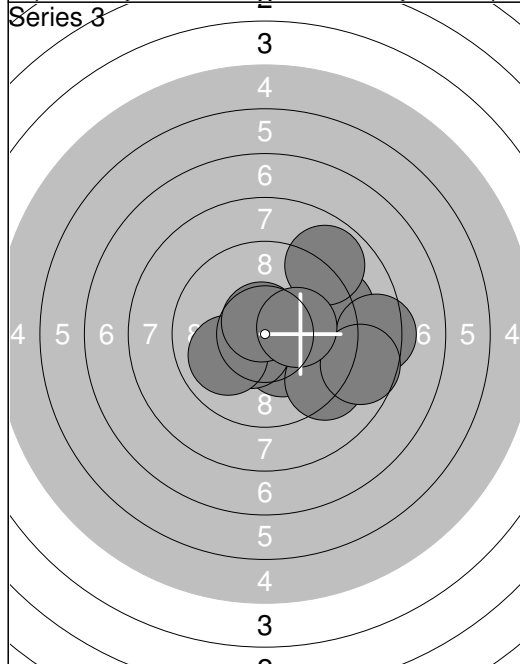
51:	10.3x	↖
52:	10.1	↗
53:	10.5x	↖
54:	9.3	→
55:	10.4x	↗
56:	10.7x	↑
57:	9.1	→
58:	10.7x	↑
59:	10.4x	↖
60:	10.3x	↗
<b>Series</b>		<b>101.8</b>
<b>Total</b>		<b>617.1</b>



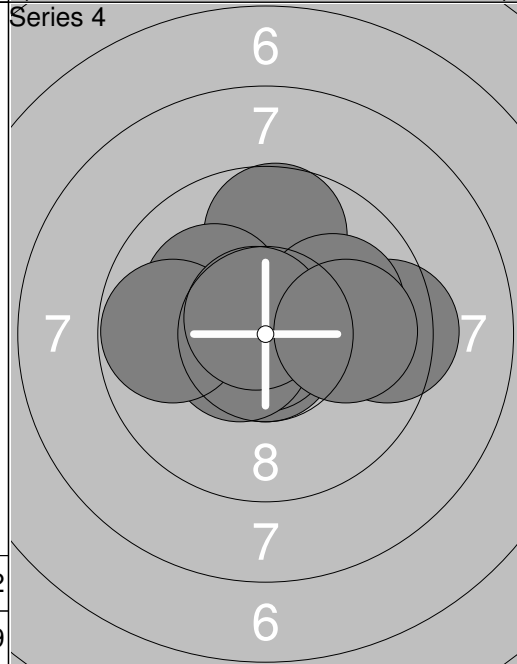
1: 8.5 →
2: 10.6x ↗
3: 10.1 ↓
4: 10.6x ↘
5: 10.1 ↖
6: 9.9 ↑
7: 10.4x ↓
8: 10.7x ↖
9: 9.8 →
10: 9.8 ↘
<b>Series</b> 100.5
<b>Total</b> 100.5



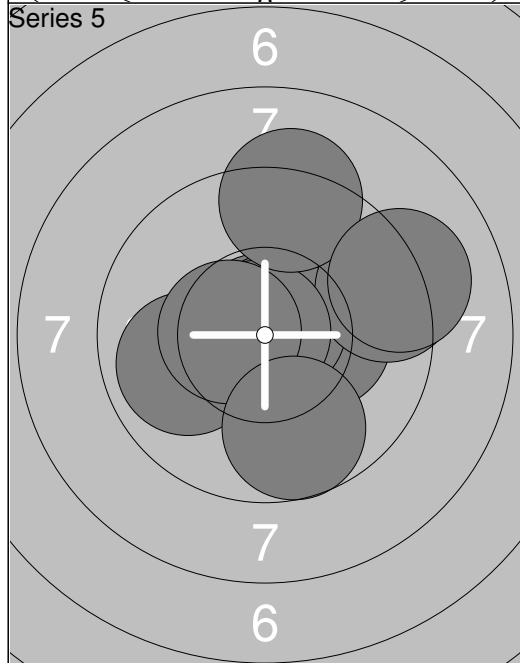
11: 10.0 ↖
12: 9.9 ↘
13: 10.5x ↘
14: 10.5x ↖
15: 10.6x ←
16: 10.1 ↖
17: 10.0 ↓
18: 9.1 →
19: 10.4x →
20: 9.1 ↘
<b>Series</b> 100.2
<b>Total</b> 200.7



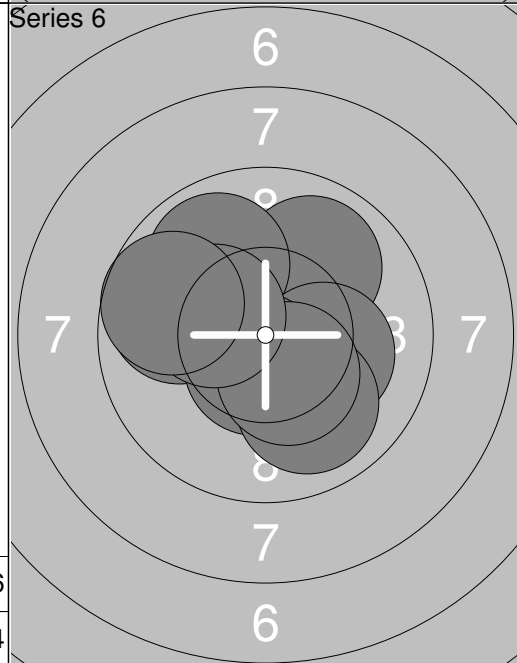
21: 9.3 →
22: 8.4 →
23: 10.3x ↘
24: 8.9 ↗
25: 9.2 ↘
26: 10.5x ↘
27: 10.0 ↖
28: 8.7 →
29: 10.7x ↗
30: 10.2x →
<b>Series</b> 96.2
<b>Total</b> 296.9



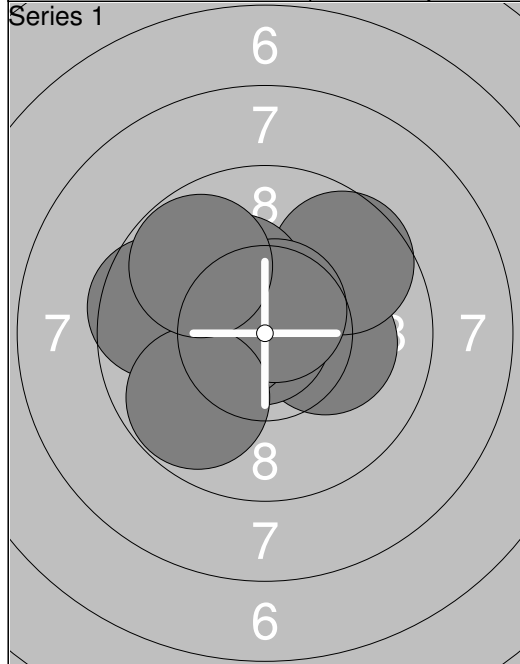
31: 10.8x ↓
32: 10.9x ↘
33: 9.4 →
34: 10.6x ↘
35: 9.7 ↑
36: 10.0 ↗
37: 10.1 ↖
38: 9.8 ←
39: 10.7x ↖
40: 9.9 →
<b>Series</b> 101.9
<b>Total</b> 398.8



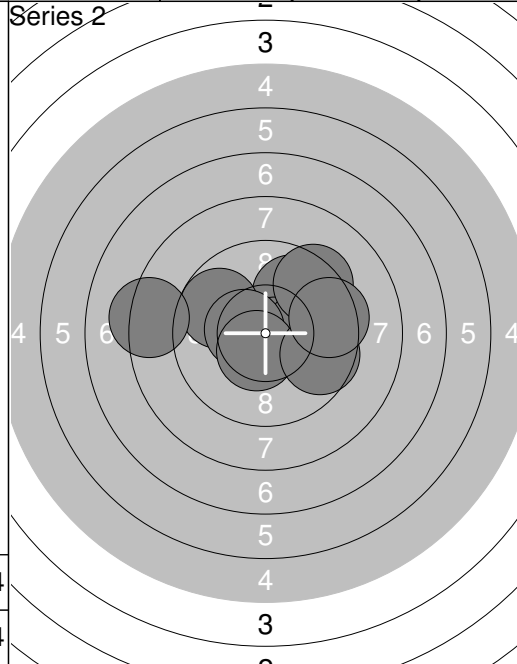
41: 10.3x →
42: 10.8x ↗
43: 10.8x ↗
44: 9.9 ←
45: 9.3 →
46: 10.9x ↖
47: 9.2 ↑
48: 9.2 →
49: 10.5x ←
50: 9.7 ↓
<b>Series</b> 100.6
<b>Total</b> 499.4



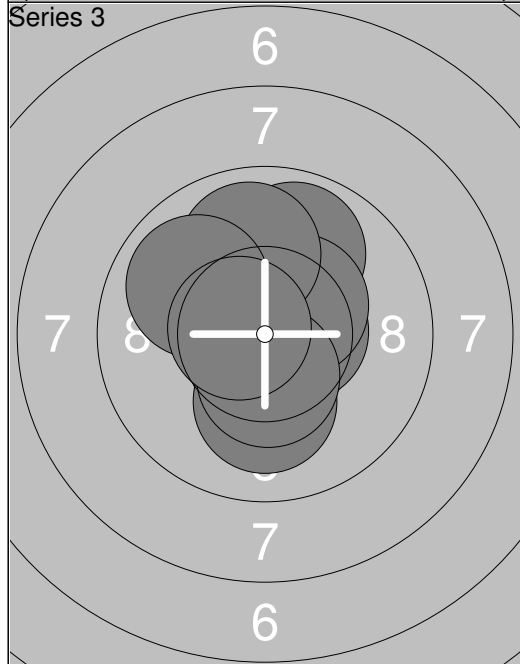
51: 9.8 ←
52: 10.8x ↘
53: 9.9 ↗
54: 9.9 ↖
55: 10.2x →
56: 10.6x ↘
57: 10.0 ↓
58: 10.4x ↘
59: 10.3x ↖
60: 9.7 ←
<b>Series</b> 101.6
<b>Total</b> 601.0



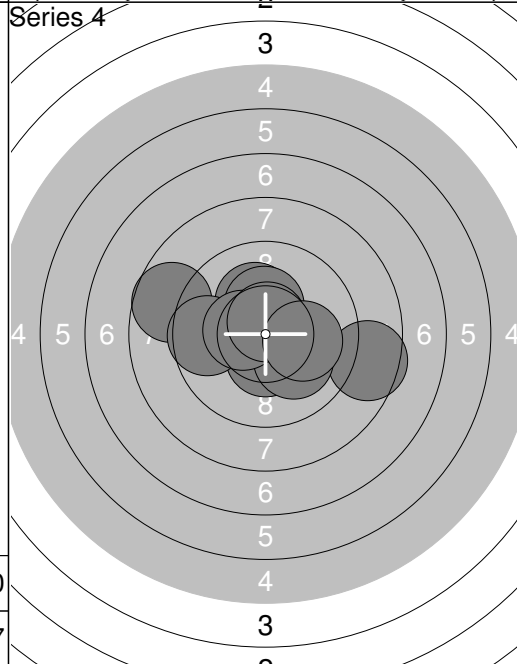
1:	10.2x	→
2:	9.7	↗
3:	10.9x	←
4:	10.1	↖
5:	10.5x	←
6:	9.6	←
7:	10.2x	↗
8:	10.6x	↗
9:	9.8	↘
10:	9.8	↖
Series		101.4
Total		101.4



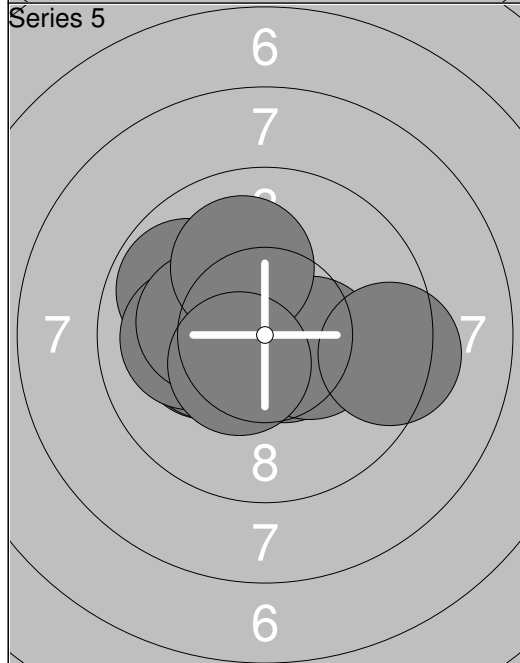
11:	9.9	↗
12:	9.8	↖
13:	10.7x	→
14:	10.1	→
15:	9.4	↗
16:	10.5x	←
17:	8.3	←
18:	10.5x	↘
19:	9.6	→
20:	9.5	→
Series		98.3
Total		199.7



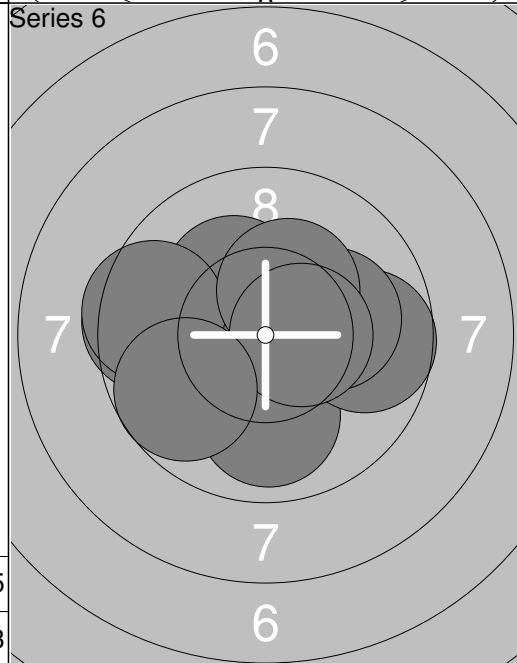
21:	10.6x	↘
22:	10.6x	↘
23:	9.9	↗
24:	10.1	↘
25:	10.6x	→
26:	10.4x	↗
27:	9.9	↗
28:	9.9	↖
29:	10.4x	↘
30:	10.6x	←
Series		103.0
Total		302.7



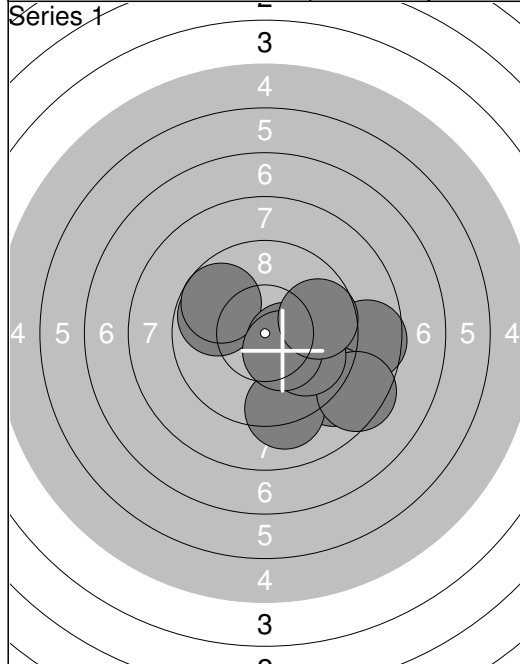
31:	10.4x	↘
32:	8.7	←
33:	10.2x	↗
34:	8.6	→
35:	9.6	←
36:	10.3x	↗
37:	10.1	↘
38:	10.4x	←
39:	10.7x	↗
40:	10.1	→
Series		99.1
Total		401.8



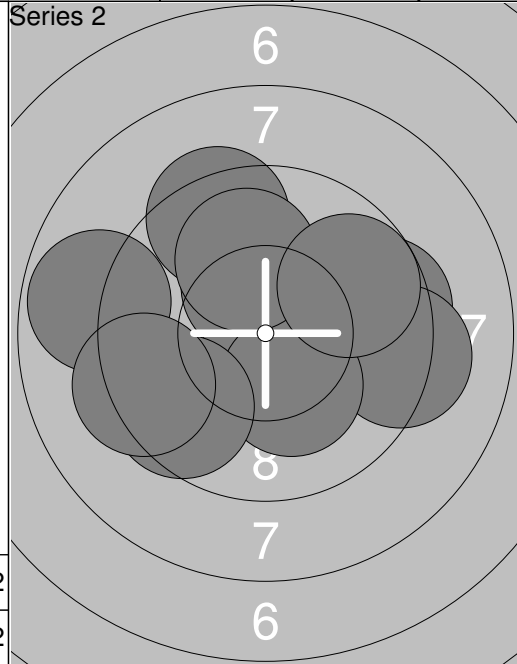
41:	10.6x	↘
42:	10.2x	←
43:	9.8	↖
44:	10.3x	←
45:	10.4x	→
46:	10.0	←
47:	10.2x	←
48:	10.1	↗
49:	10.5x	↘
50:	9.4	→
Series		101.5
Total		503.3



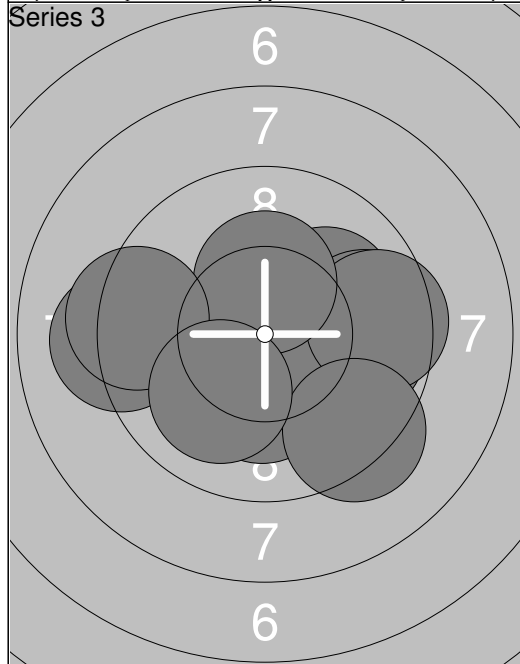
51:	10.2x	←
52:	9.5	←
53:	10.0	↘
54:	9.7	→
55:	10.2x	↖
56:	10.1	→
57:	9.5	←
58:	10.3x	↗
59:	10.5x	→
60:	9.7	↖
Series		99.7
Total		603.0



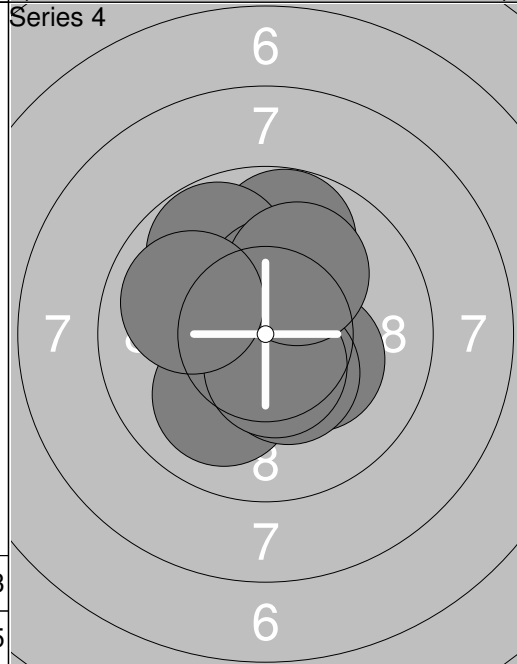
1: 9.8	←
2: 8.6	→
3: 9.7	↖
4: 10.4x	→
5: 9.0	↘
6: 9.2	↓
7: 8.5	↘
8: 9.9	↘
9: 10.4x	↘
10: 9.7	→
<b>Series</b>	<b>95.2</b>
<b>Total</b>	<b>95.2</b>



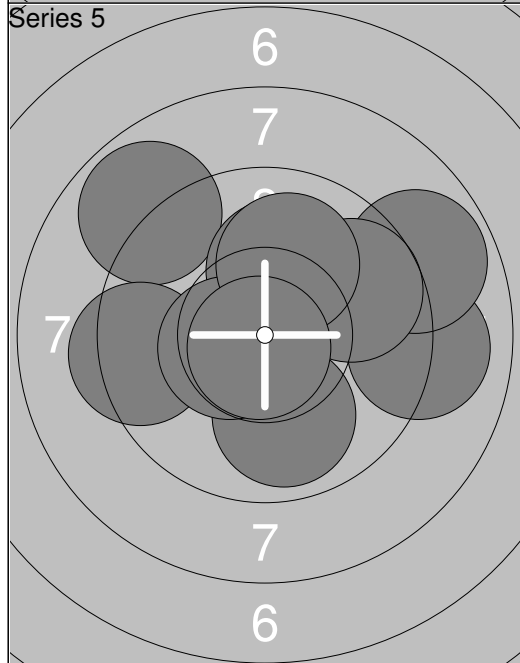
11: 9.4	↑
12: 10.3x	↑
13: 8.8	←
14: 9.5	→
15: 9.2	→
16: 10.2x	↓
17: 9.6	↖
18: 10.0	↑
19: 9.7	↗
20: 9.3	←
<b>Series</b>	<b>96.0</b>
<b>Total</b>	<b>191.2</b>



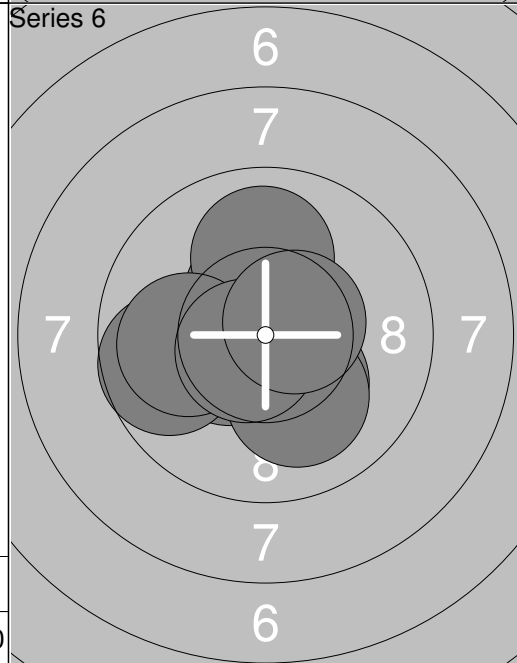
21: 9.8	→
22: 10.1	↗
23: 9.1	←
24: 9.7	→
25: 10.2x	↓
26: 9.5	→
27: 10.3x	↑
28: 9.3	←
29: 9.3	↘
30: 10.0	↘
<b>Series</b>	<b>97.3</b>
<b>Total</b>	<b>288.5</b>



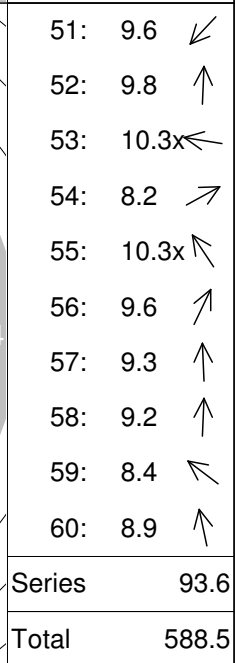
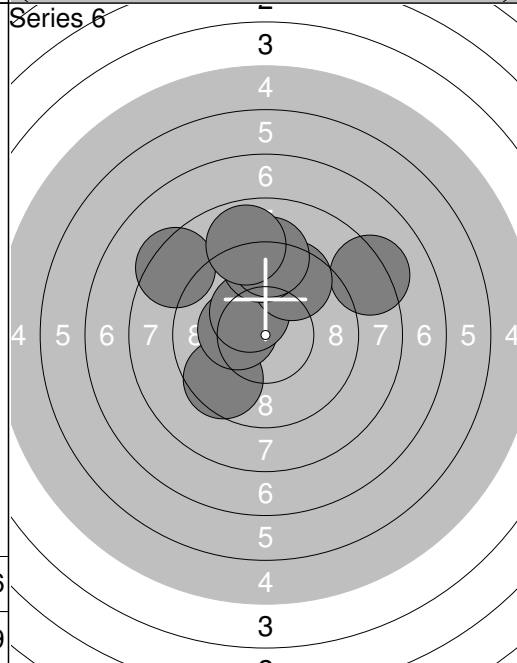
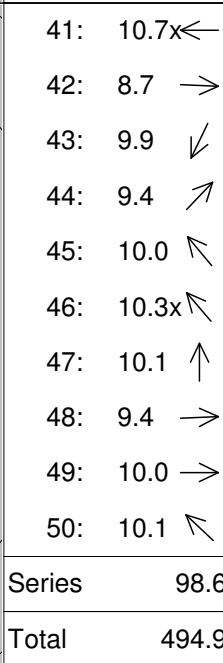
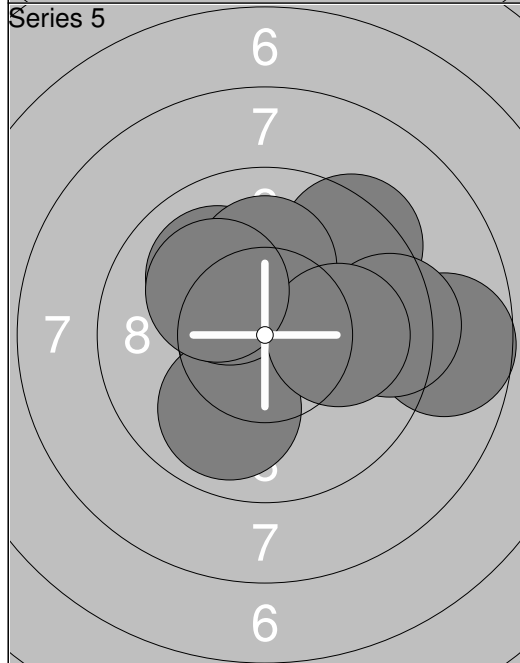
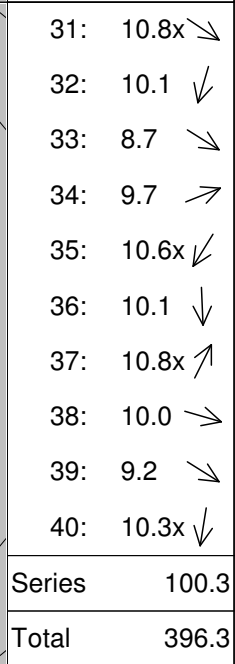
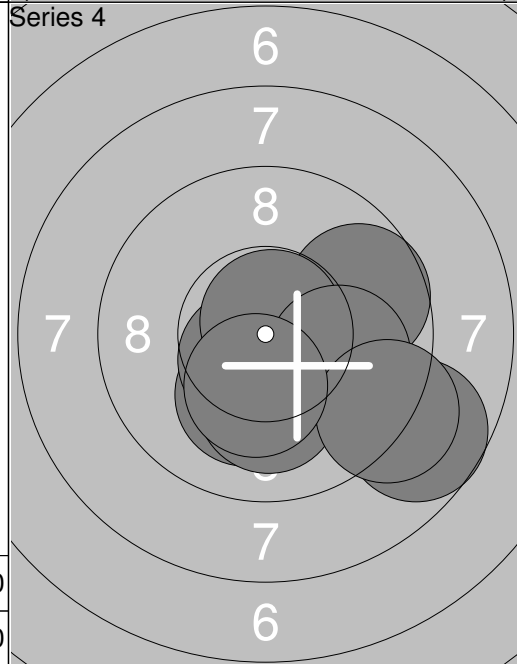
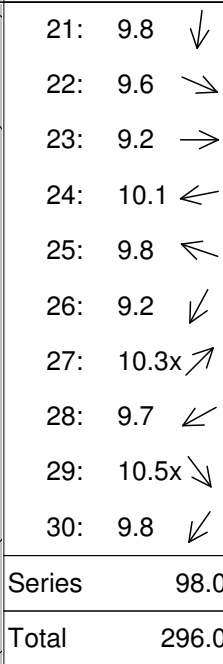
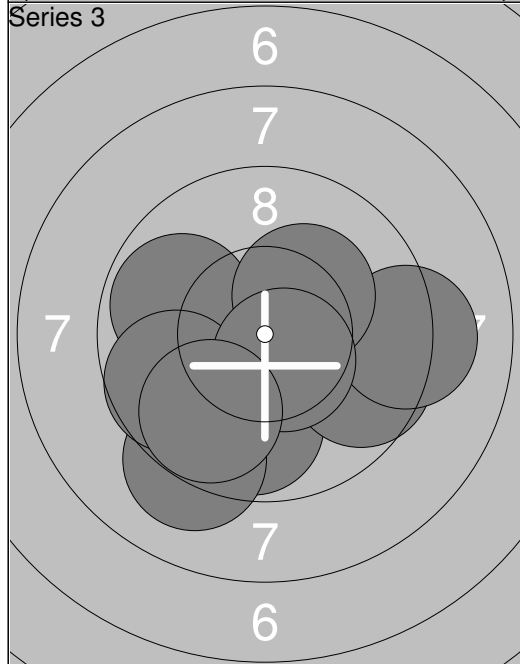
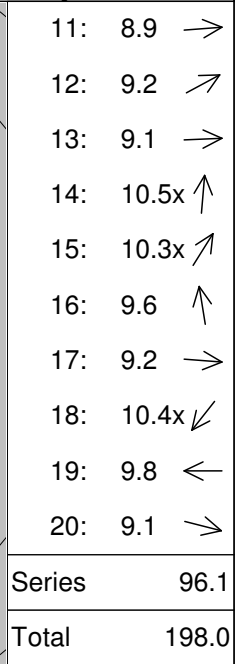
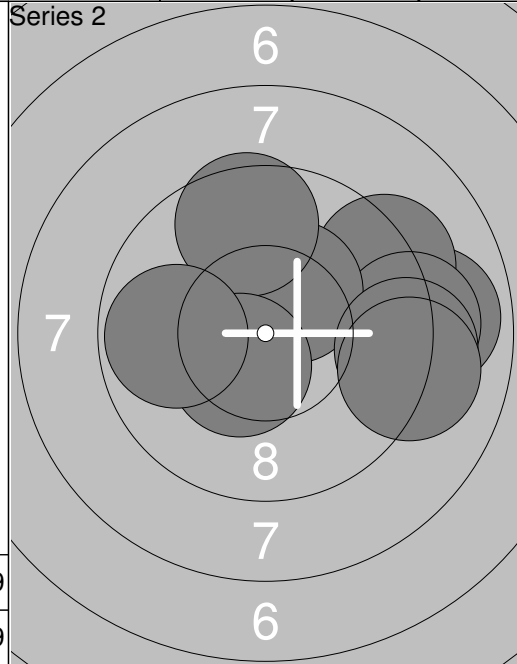
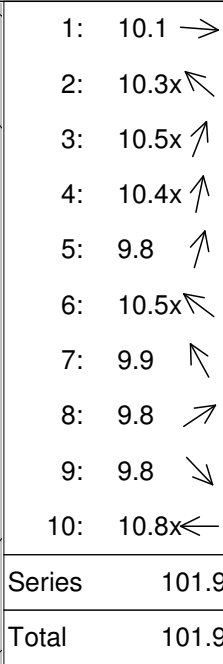
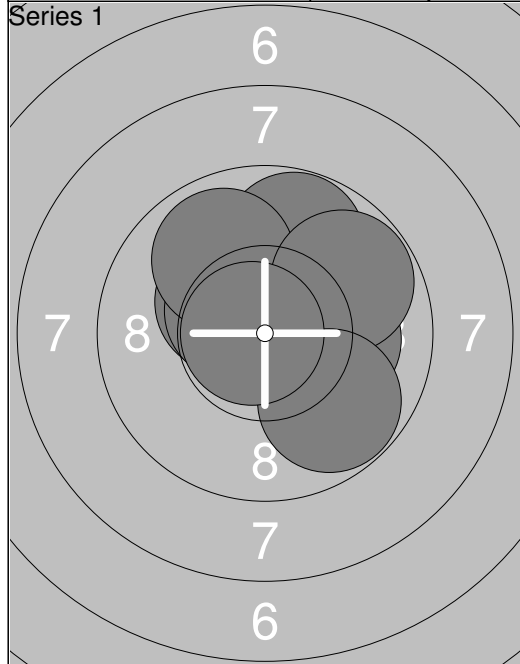
31: 10.3x	↗
32: 10.0	↓
33: 9.8	↑
34: 10.1	↑
35: 9.8	↖
36: 10.4x	↑
37: 10.4x	↓
38: 10.5x	↓
39: 10.1	↑
40: 10.0	←
<b>Series</b>	<b>101.4</b>
<b>Total</b>	<b>389.9</b>

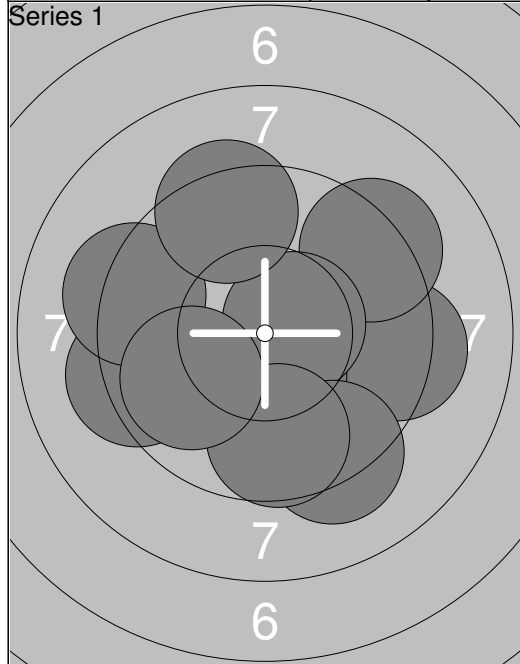


41: 9.0	→
42: 8.8	↗
43: 9.7	↗
44: 8.9	↖
45: 10.1	↑
46: 9.4	←
47: 9.9	↓
48: 10.5x	←
49: 10.0	↑
50: 10.8x	↘
<b>Series</b>	<b>97.1</b>
<b>Total</b>	<b>487.0</b>

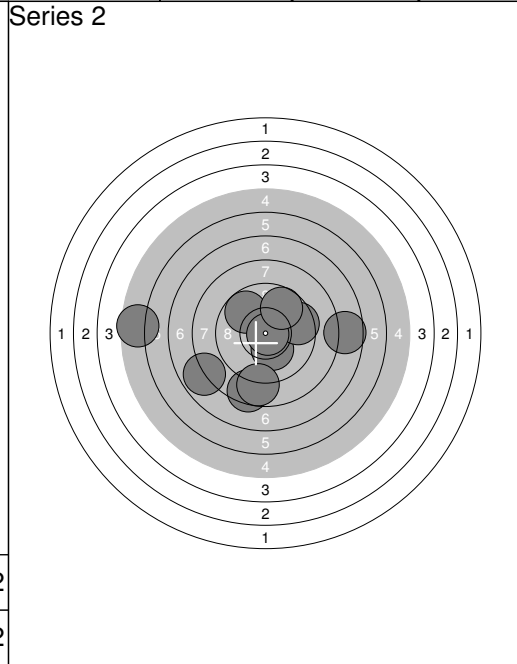


51: 10.7x	↑
52: 10.5x	↑
53: 10.2x	↓
54: 10.5x	↖
55: 9.7	←
56: 10.0	↑
57: 10.1	↓
58: 10.0	←
59: 10.6x	↖
60: 10.6x	↗
<b>Series</b>	<b>102.9</b>
<b>Total</b>	<b>589.9</b>

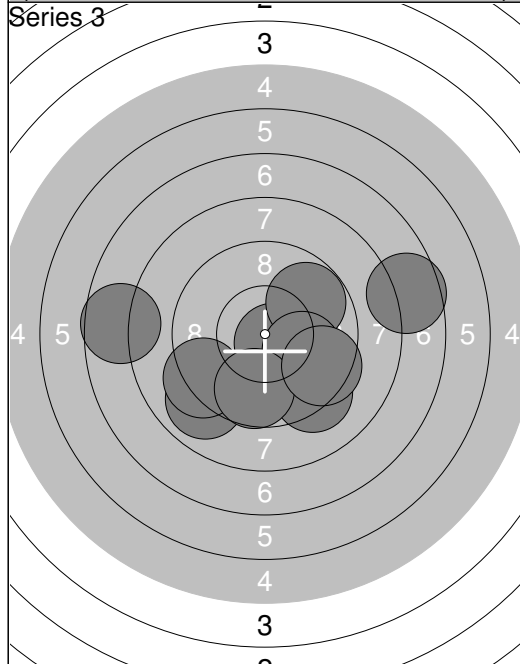




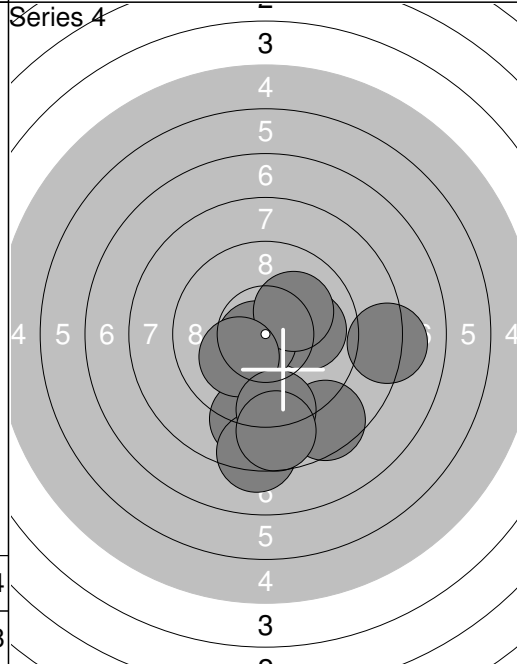
1:	9.3	→
2:	9.3	←
3:	9.2	←
4:	9.3	↗
5:	10.4x	↓
6:	10.6x	→
7:	9.2	↓
8:	9.3	↑
9:	9.7	↓
10:	9.9	←
<b>Series</b>		<b>96.2</b>
<b>Total</b>		<b>96.2</b>



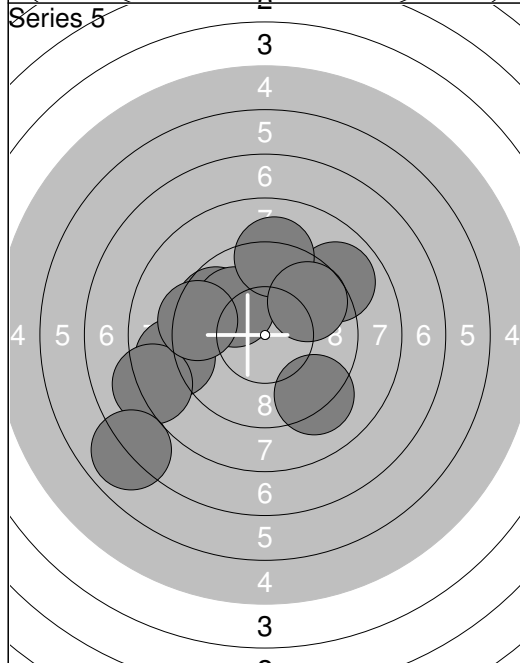
11:	8.4	↓
12:	7.9	↙
13:	5.5	←
14:	10.2x	↓
15:	9.5	→
16:	9.7	↖
17:	10.9x	→
18:	8.8	↓
19:	9.7	↗
20:	7.6	→
<b>Series</b>		<b>88.2</b>
<b>Total</b>		<b>184.4</b>



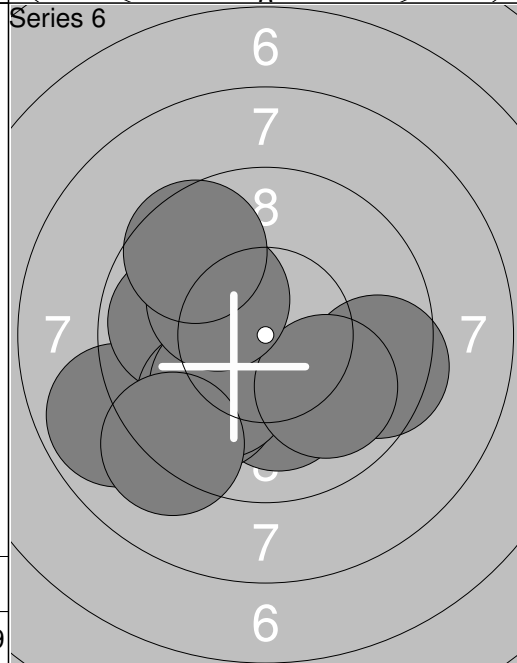
21:	7.7	←
22:	10.7x	↓
23:	9.8	↗
24:	10.0	→
25:	9.0	↙
26:	7.6	→
27:	9.2	←
28:	9.2	↓
29:	9.7	↓
30:	9.5	→
<b>Series</b>		<b>92.4</b>
<b>Total</b>		<b>276.8</b>



31:	9.0	↓
32:	10.0	→
33:	10.7x	↙
34:	8.6	↘
35:	10.1	↗
36:	10.2x	↙
37:	8.3	↓
38:	9.2	↓
39:	8.7	↓
40:	8.2	→
<b>Series</b>		<b>93.0</b>
<b>Total</b>		<b>369.8</b>

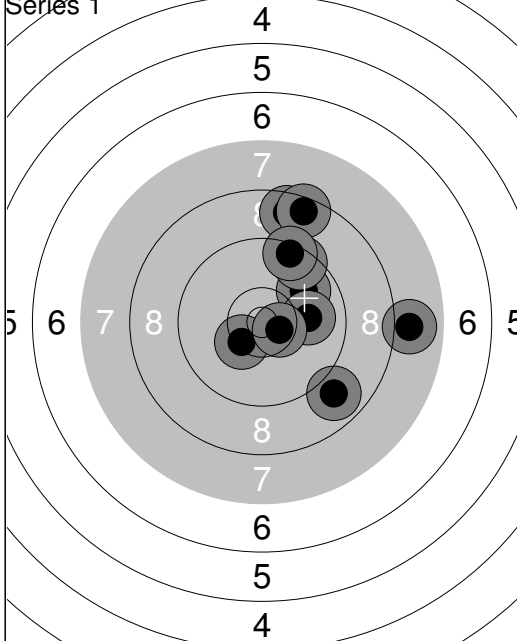
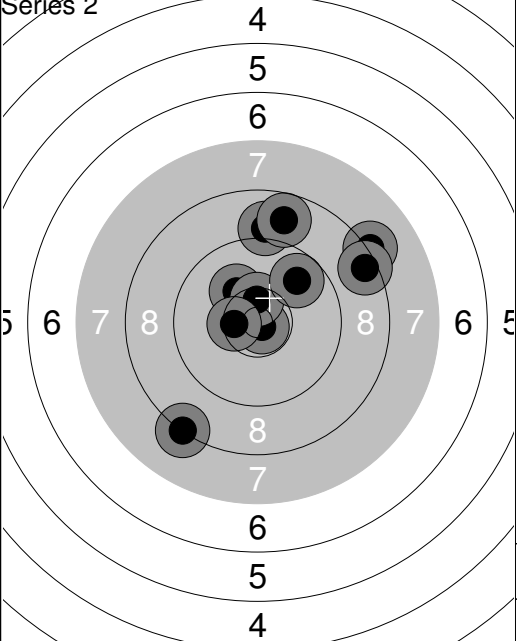


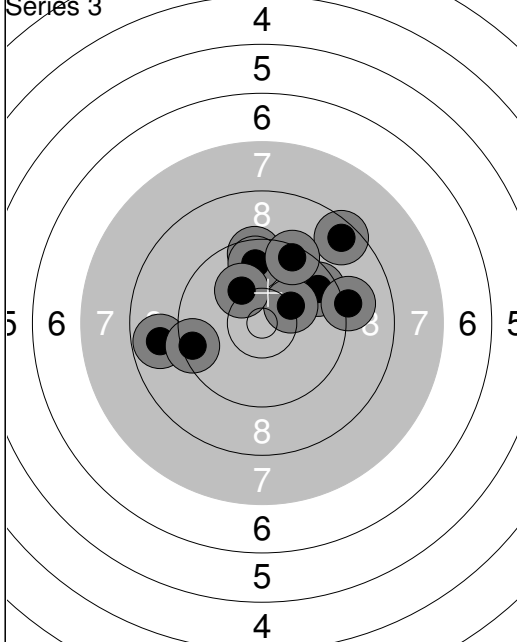
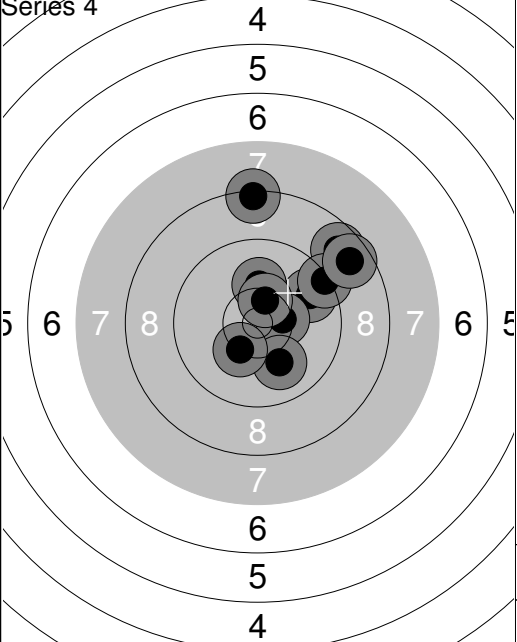
41:	9.7	↖
42:	8.8	←
43:	9.2	↘
44:	10.0	↗
45:	8.2	←
46:	8.9	↗
47:	7.0	←
48:	9.2	↑
49:	9.4	←
50:	9.7	↗
<b>Series</b>		<b>90.1</b>
<b>Total</b>		<b>459.9</b>

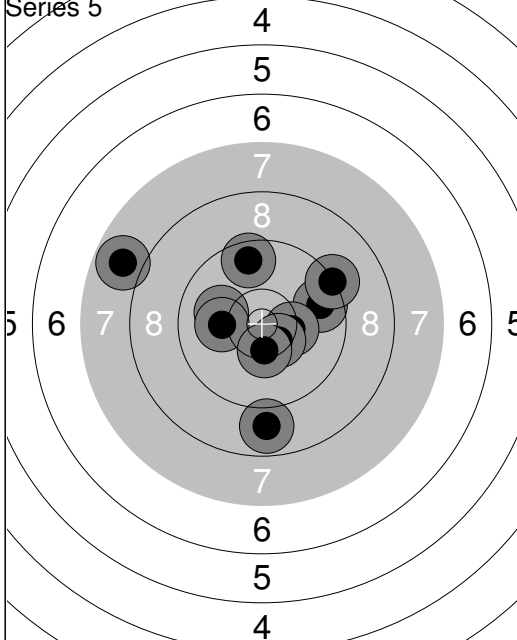
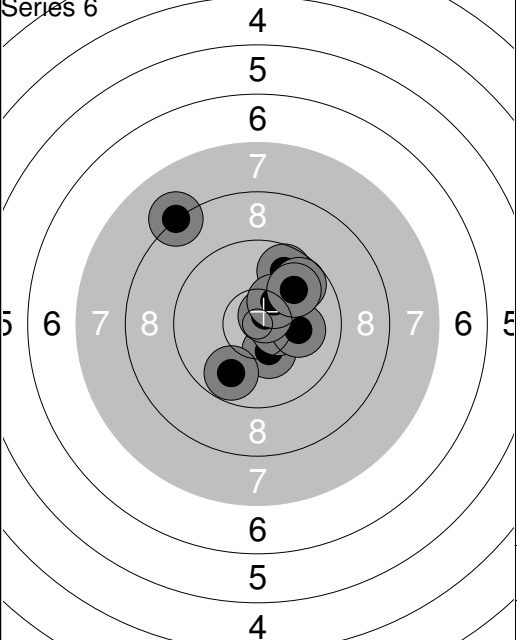


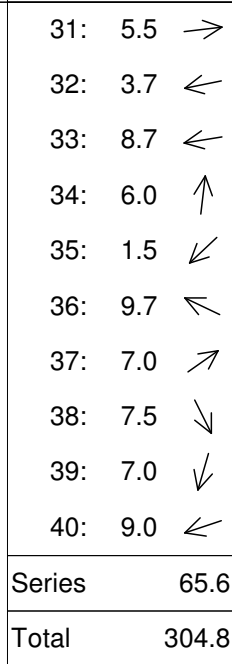
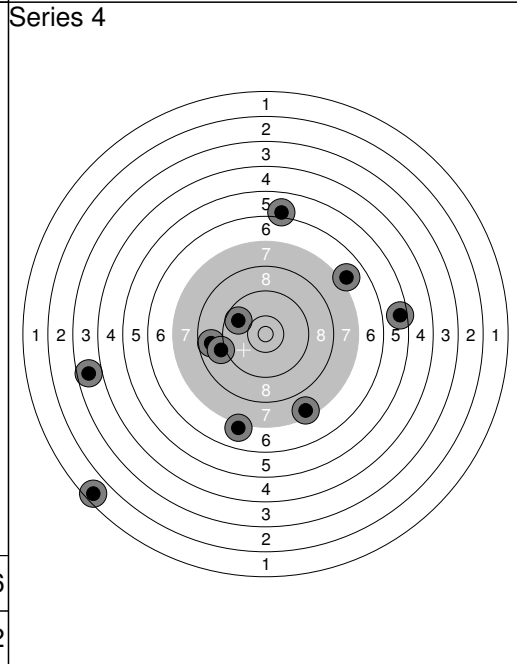
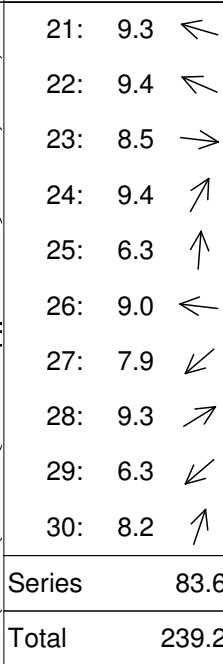
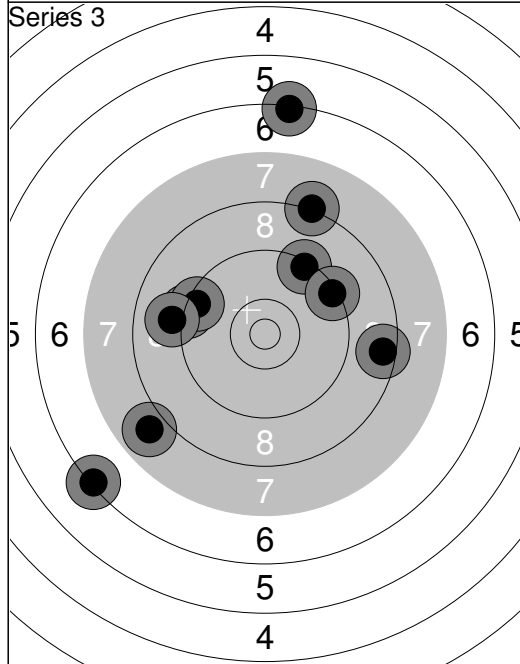
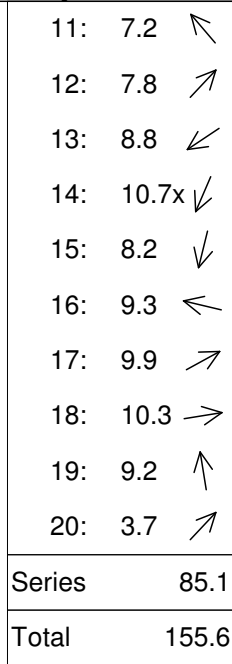
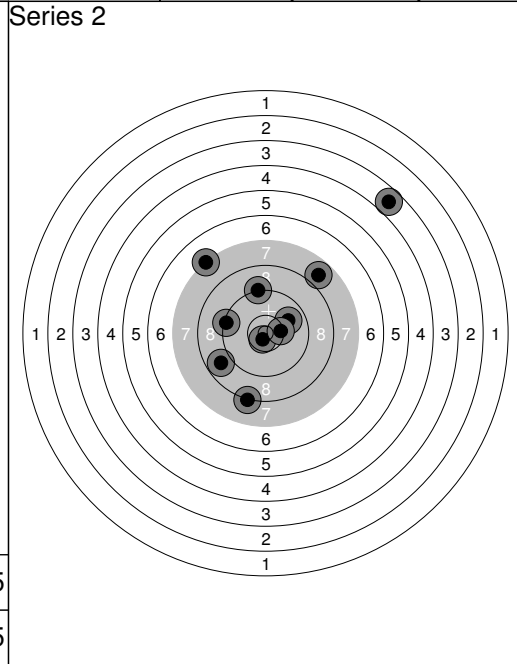
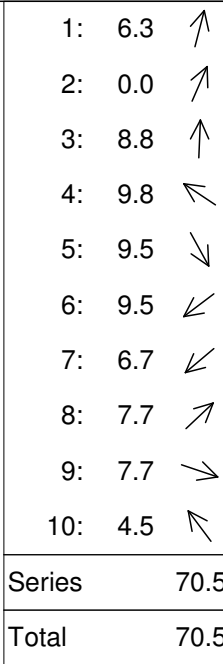
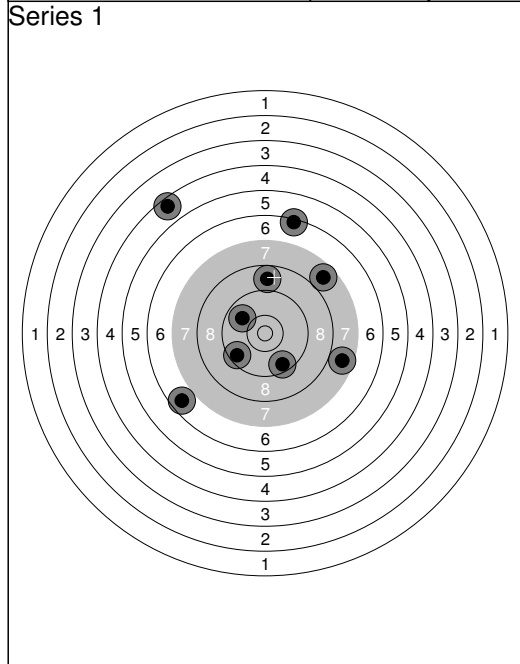
51:	9.5	→
52:	8.9	↙
53:	10.1	↓
54:	9.9	←
55:	9.9	↙
56:	10.1	↙
57:	9.2	↙
58:	10.0	↘
59:	10.2x	↖
60:	9.6	↖
<b>Series</b>		<b>97.4</b>
<b>Total</b>		<b>557.3</b>

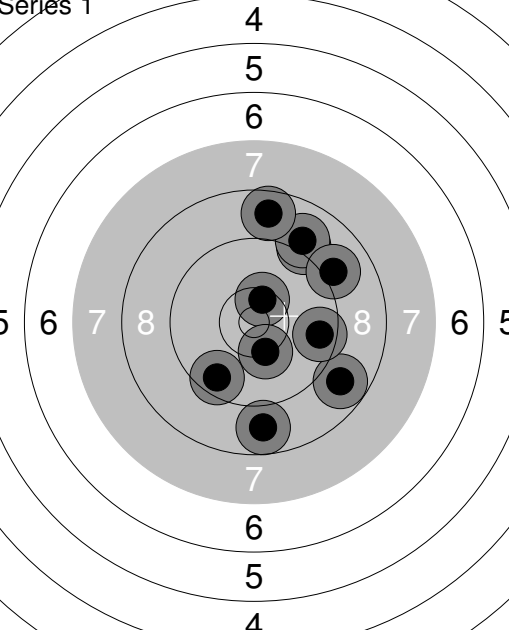
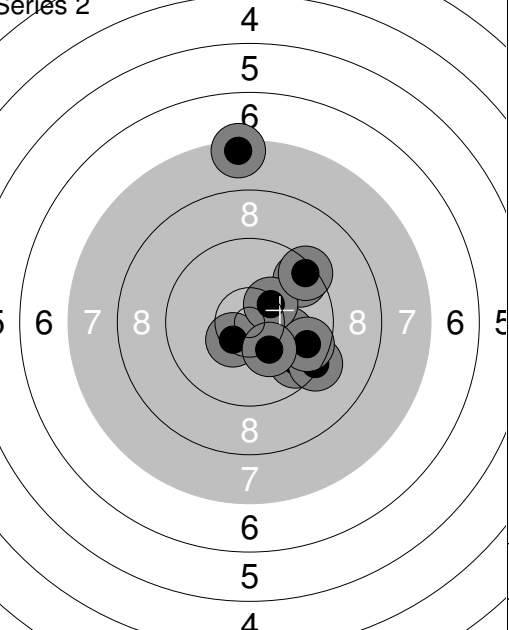


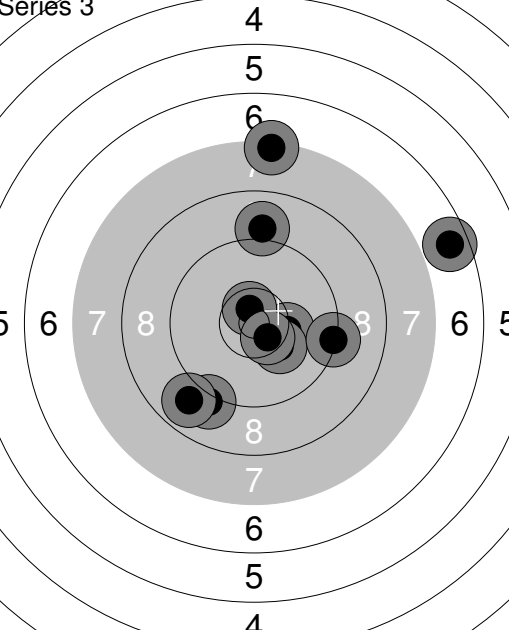
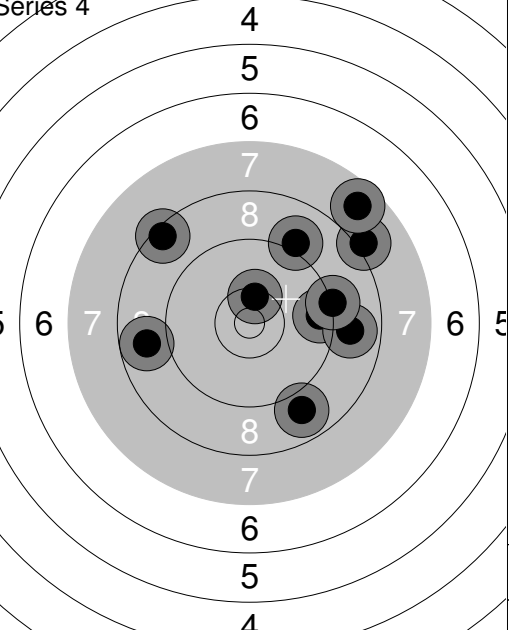
<b>Series 1</b> 	1: 8.6 ↑ 2: 9.9 ↗ 3: 10.4x ↙ 4: 7.9 → 5: 8.5 ↑ 6: 10.0 → 7: 9.5 ↗ 8: 8.9 ↘ 9: 9.4 ↑ 10: 10.6x → <b>Series 93.7</b> <b>Total 93.7</b>	<b>Series 2</b> 	11: 10.8x ↘ 12: 10.2 ↖ 13: 8.2 ↗ 14: 10.5x ↑ 15: 9.8 ↗ 16: 9.0 ↑ 17: 10.5x ← 18: 8.8 ↑ 19: 8.3 ↙ 20: 8.5 ↗ <b>Series 94.6</b> <b>Total 188.3</b>
---	---	---	---

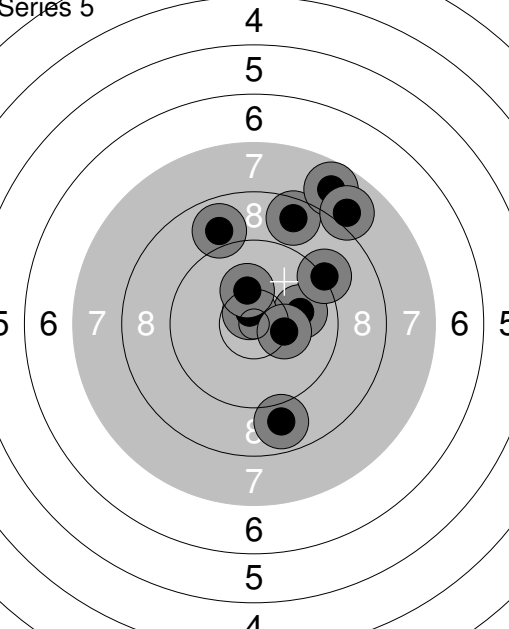
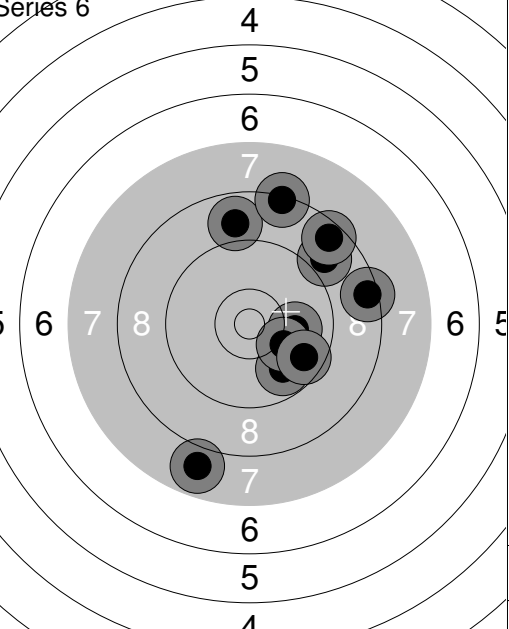
<b>Series 3</b> 	21: 9.6 ↗ 22: 8.6 ↗ 23: 9.5 ↑ 24: 9.7 ↑ 25: 9.1 → 26: 10.3 ↗ 27: 9.5 ↗ 28: 10.2 ↖ 29: 8.8 ← 30: 9.4 ← <b>Series 94.7</b> <b>Total 283.0</b>	<b>Series 4</b> 	31: 9.7 ↗ 32: 10.4x → 33: 8.3 ↑ 34: 10.0 ↘ 35: 10.3 ↙ 36: 10.2 ↑ 37: 8.7 ↗ 38: 10.5x ↑ 39: 9.3 ↗ 40: 8.7 ↗ <b>Series 96.1</b> <b>Total 379.1</b>
--	--	--	---

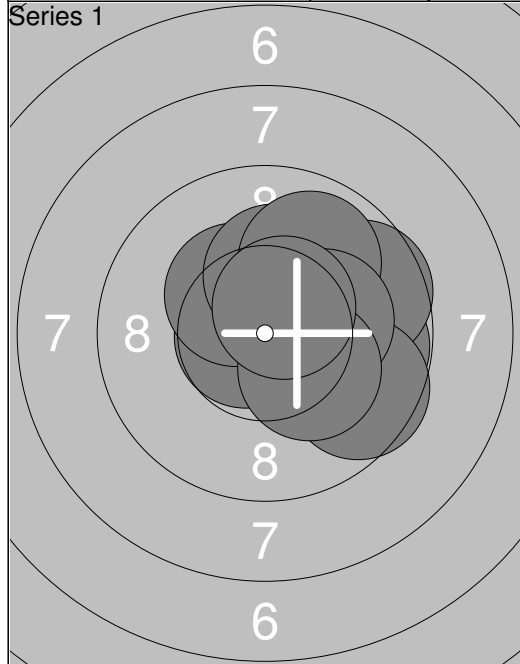
<b>Series 5</b> 	41: 9.6 ↑ 42: 8.8 ↓ 43: 9.7 → 44: 10.3 → 45: 9.3 ↗ 46: 10.5x ↘ 47: 10.1 ← 48: 7.8 ← 49: 10.1 ← 50: 10.4x ↓ <b>Series 96.6</b> <b>Total 475.7</b>	<b>Series 6</b> 	51: 8.2 ↖ 52: 9.7 ↑ 53: 10.3 ↘ 54: 10.5x → 55: 9.8 ↗ 56: 9.8 ↙ 57: 10.1 → 58: 10.7x ↗ 59: 10.4x ↗ 60: 9.9 ↗ <b>Series 99.4</b> <b>Total 575.1</b>
---	---	---	--



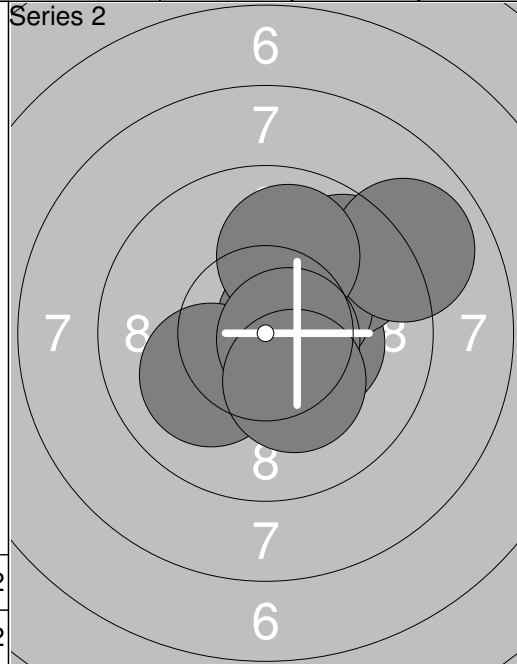
<p><b>Series 1</b></p> 	<p>1: 9.1 ↗ 2: 10.5x ↗ 3: 9.6 ↘ 4: 10.3 ↘ 5: 8.8 ↘ 6: 9.0 ↗ 7: 9.0 ↗ 8: 8.7 ↑ 9: 9.6 → 10: 8.8 ↓</p> <p>Series 93.4 Total 93.4</p>	<p><b>Series 2</b></p> 	<p>11: 10.5x ↘ 12: 10.1 → 13: 9.6 ↗ 14: 9.7 ↘ 15: 7.4 ↑ 16: 9.4 ↘ 17: 10.4x ↗ 18: 9.4 ↗ 19: 9.7 → 20: 10.3 ↓</p> <p>Series 96.5 Total 189.9</p>
---	--	---	---

<p><b>Series 3</b></p> 	<p>21: 6.6 → 22: 10.2 → 23: 9.1 ↘ 24: 7.3 ↑ 25: 10.6x ↗ 26: 10.2 ↘ 27: 10.5x ↘ 28: 9.0 ↑ 29: 9.3 → 30: 8.9 ↘</p> <p>Series 91.7 Total 281.6</p>	<p><b>Series 4</b></p> 	<p>31: 8.4 ↖ 32: 8.8 ← 33: 8.1 ↗ 34: 7.7 ↗ 35: 9.5 → 36: 9.1 ↗ 37: 8.9 ↘ 38: 8.9 → 39: 9.2 → 40: 10.4x ↗</p> <p>Series 89.0 Total 370.6</p>
--	---	--	---

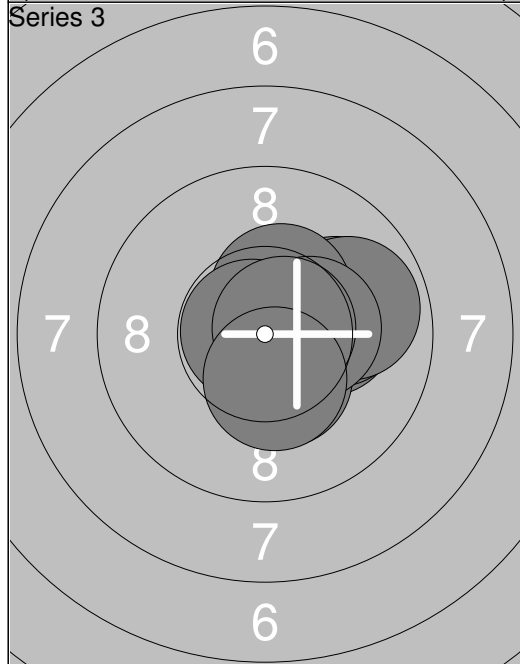
<p><b>Series 5</b></p> 	<p>41: 8.6 ↑ 42: 10.0 → 43: 8.9 ↘ 44: 9.2 ↗ 45: 7.8 ↗ 46: 10.7x ↗ 47: 10.3 ↑ 48: 10.3 → 49: 8.0 ↗ 50: 8.9 ↑</p> <p>Series 92.7 Total 463.3</p>	<p><b>Series 6</b></p> 	<p>51: 8.9 ↑ 52: 8.9 ↗ 53: 7.9 ↘ 54: 9.8 ↘ 55: 10.0 → 56: 8.5 ↗ 57: 10.1 ↘ 58: 9.6 ↘ 59: 8.3 ↑ 60: 8.5 →</p> <p>Series 90.5 Total 553.8</p>
---	--	---	---



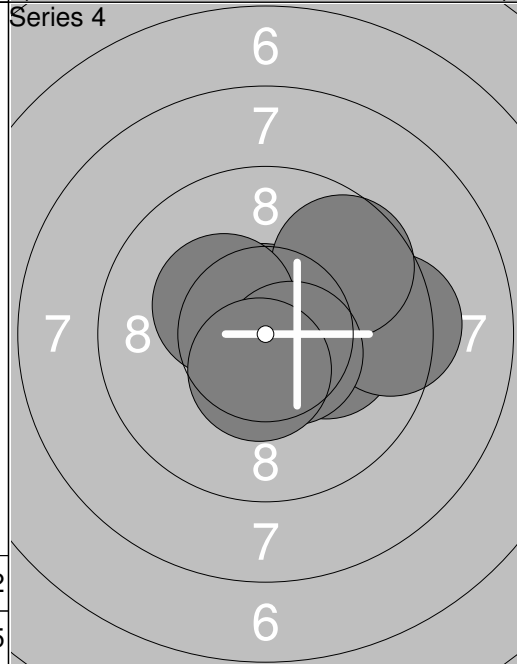
1:	9.8	→
2:	10.7x	←
3:	10.4x	↖
4:	9.6	→
5:	9.6	→
6:	10.2x	↑
7:	9.9	↗
8:	10.2x	→
9:	10.2x	↘
10:	10.6x	↗
Series	101.2	
Total	101.2	



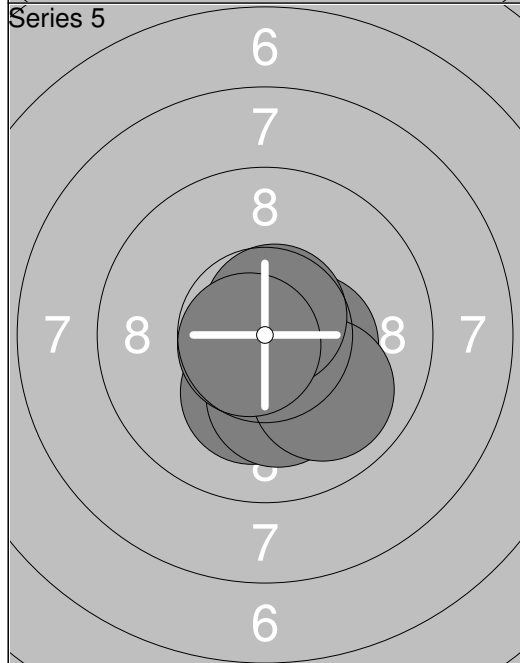
11:	9.9	↗
12:	10.3x	→
13:	10.7x	→
14:	9.7	↗
15:	10.4x	↗
16:	9.0	↗
17:	10.1	↖
18:	10.0	↑
19:	10.7x	→
20:	10.3x	↘
Series	101.1	
Total	202.3	



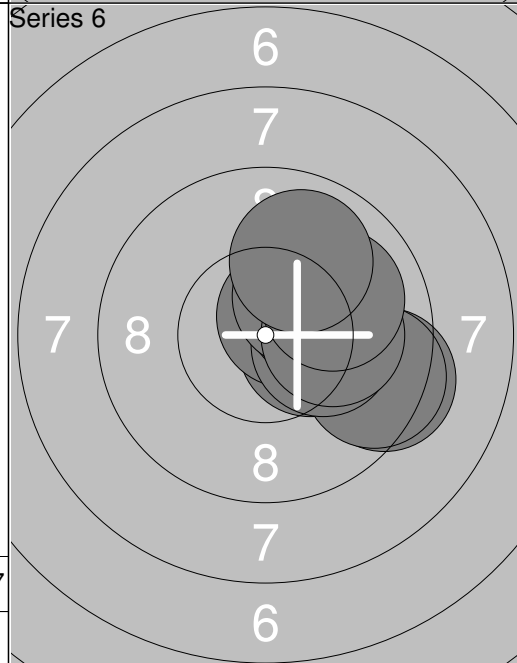
21:	10.2x	→
22:	10.0	→
23:	10.0	→
24:	9.9	→
25:	10.4x	↘
26:	10.4x	↑
27:	10.8x	←
28:	10.4x	→
29:	10.7x	→
30:	10.4x	↘
Series	103.2	
Total	305.5	



31:	10.0	↗
32:	9.8	↗
33:	10.8x	↖
34:	10.7x	↑
35:	10.2x	→
36:	9.4	→
37:	9.7	↗
38:	10.3x	↖
39:	10.5x	↘
40:	10.5x	↘
Series	101.9	
Total	407.4	



41:	10.6x	→
42:	10.4x	→
43:	10.7x	↘
44:	10.2x	↘
45:	10.8x	↘
46:	10.4x	↘
47:	10.2x	↘
48:	10.0	↘
49:	10.7x	↗
50:	10.7x	↖
Series	104.7	
Total	512.1	



51:	10.4x	→
52:	9.4	→
53:	10.6x	↗
54:	9.5	→
55:	10.2x	→
56:	10.2x	→
57:	10.3x	↗
58:	10.1	→
59:	10.0	↗
60:	9.9	↑
Series	100.6	
Total	612.7	